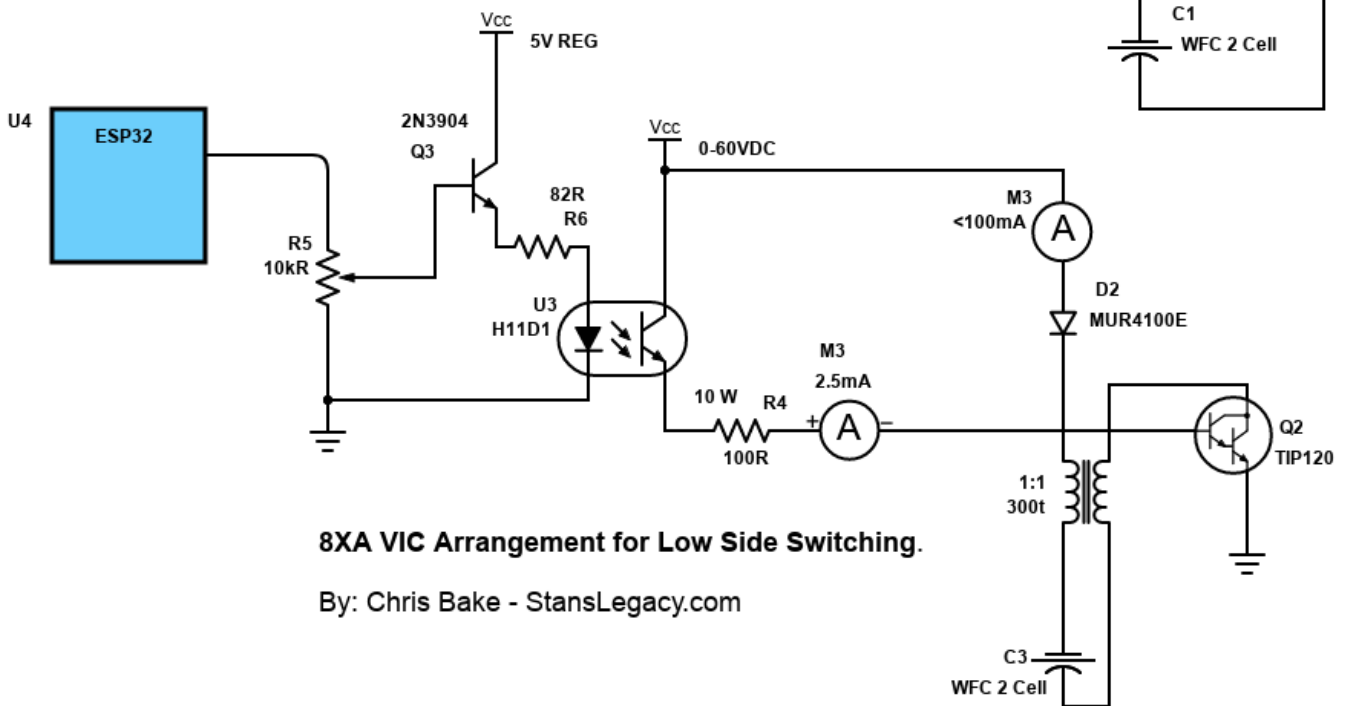
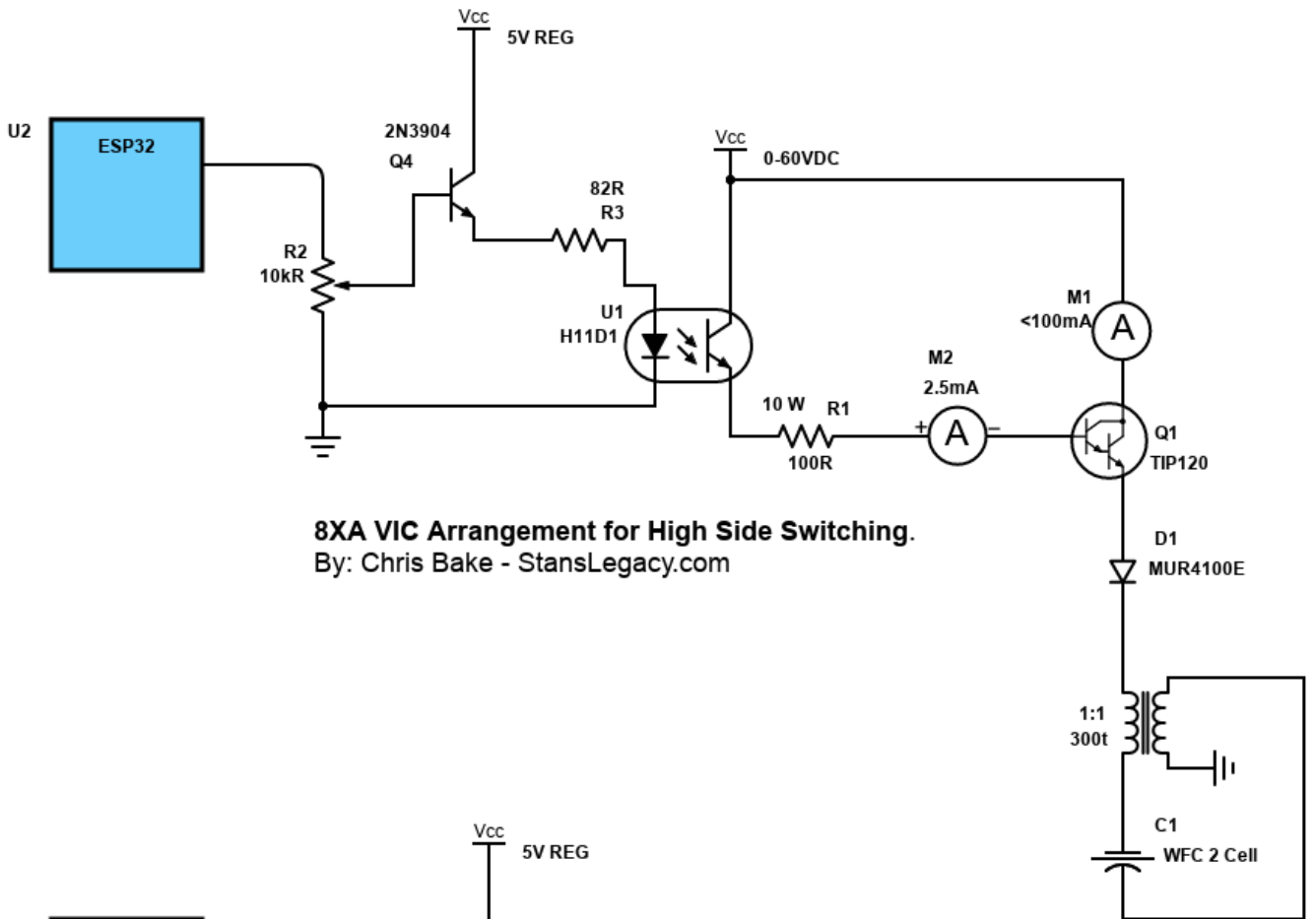
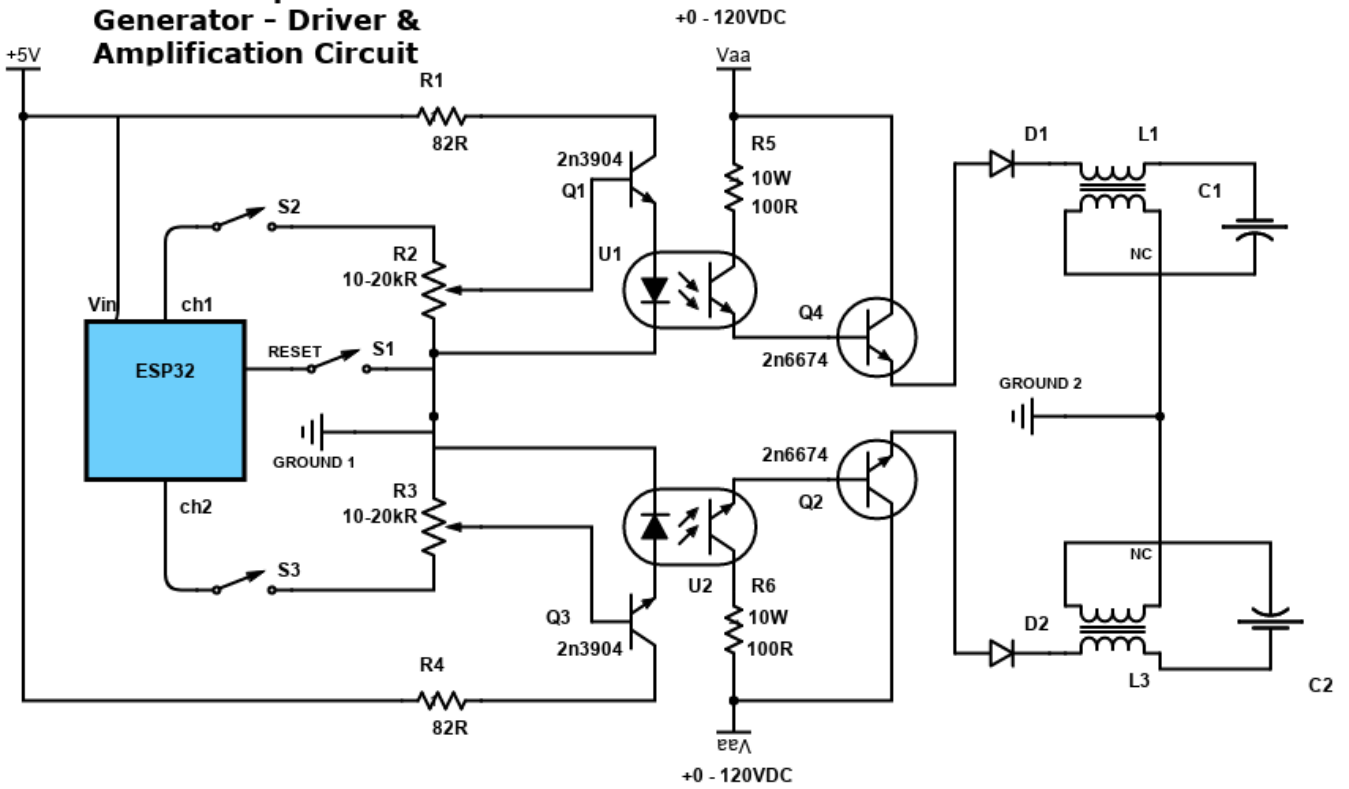


ESP32 - CWG Driver & Amplification

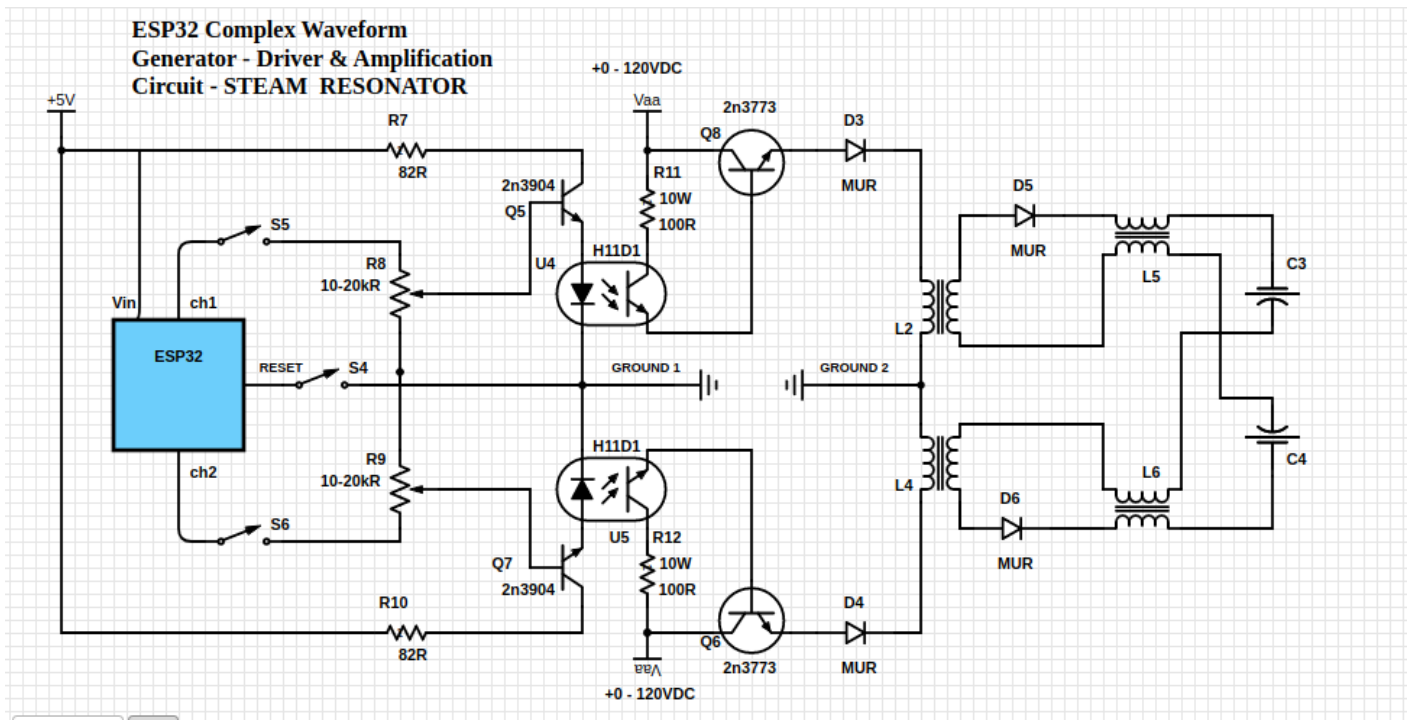
A dual channel, dual isolated power supply, pulse amplification for driving all VIC arrangements



ESP32 Complex Waveform Generator - Driver & Amplification Circuit

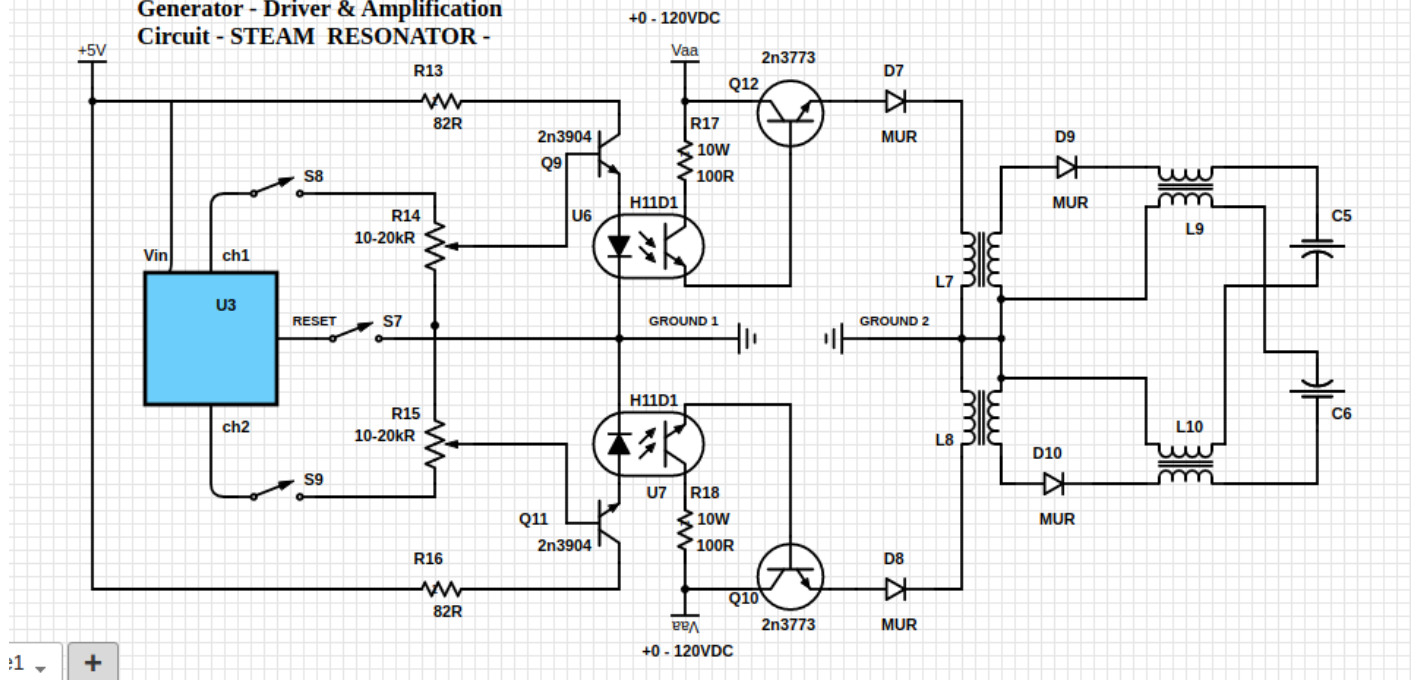


Arrangement favoring Particle Oscillation as an Energy Generator



Variation 2 - Ground Bonded / "Forced" Uni-polar Operation

ESP32 Complex Waveform
Generator - Driver & Amplification
Circuit - STEAM RESONATOR -



Revision #3

Created 2022-12-26 02:25:12 UTC by Chris Bake

Updated 2023-02-25 05:00:23 UTC by Chris Bake