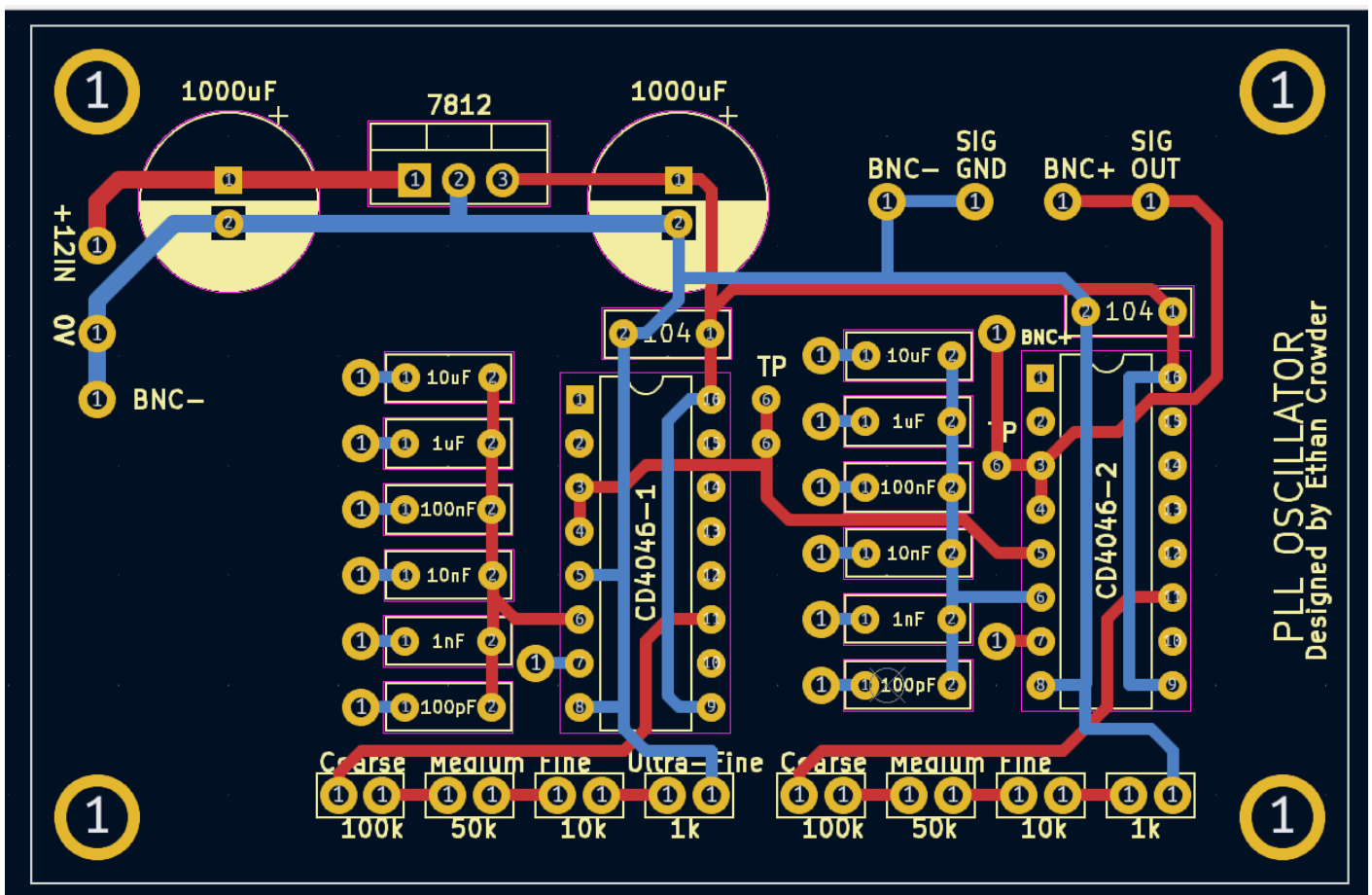
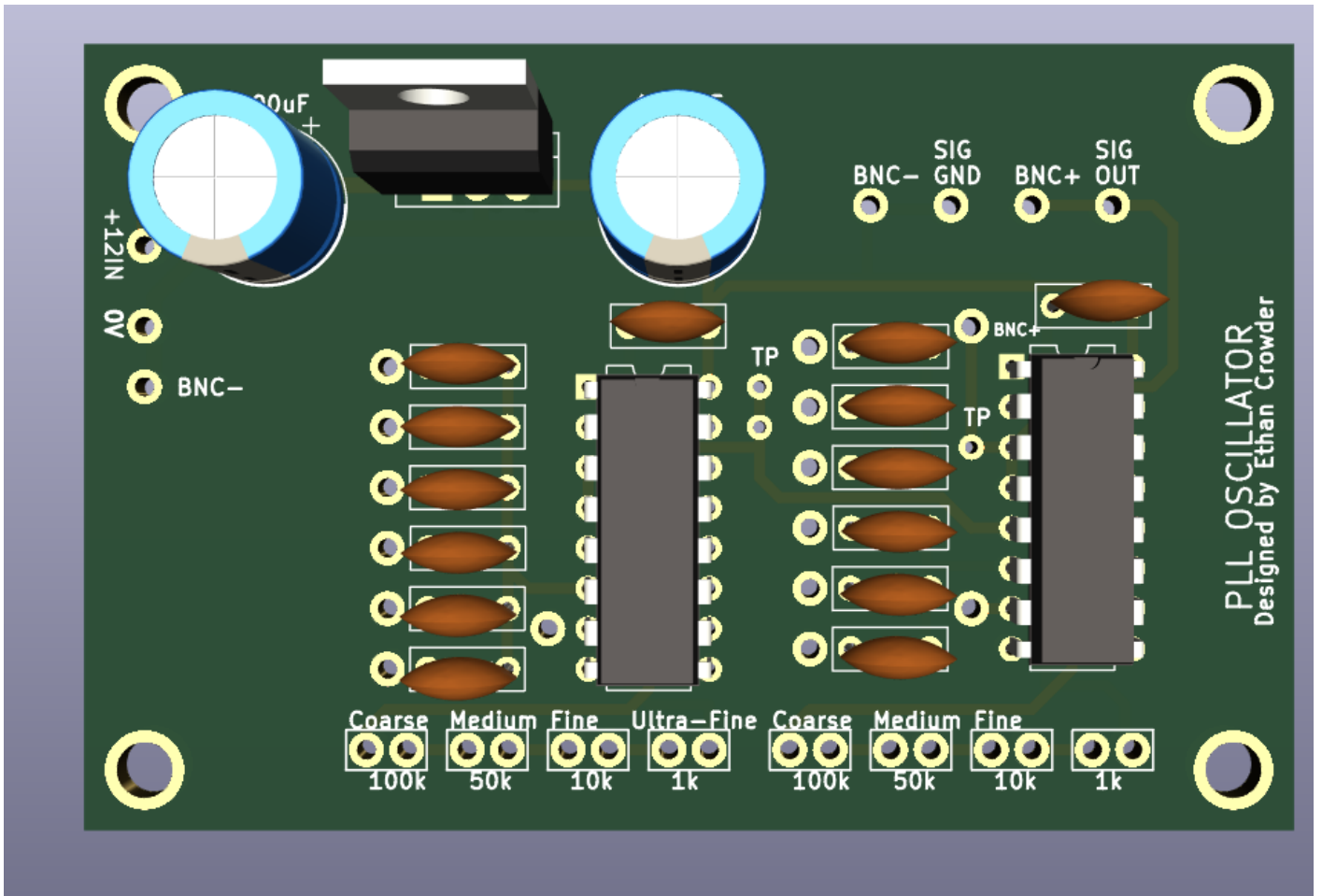


CD4046 (Phase Lock Loop) Based Gated Frequency Generator

NOTE FROM ETHAN CROWDER: This is a simple square wave oscillator, with close to a fixed 50% duty cycle, that utilizes two CD4046 Phase Lock Loop ICs. Four potentiometer connections have been included for each IC, that allows very precise frequency control. I've use four 10-Turn precision potentiometers. The CD4046's are supplied 12V. This was chosen for easier integration with more modern N-CH MOSFETS, which typically require a gate voltage of 10V minimum for full turn on.

PCB Gerber .ZIP Folder: [PLL Gated Frequency Generator Gerbers.zip](#)





Revision #1

Created 2025-12-31 23:36:20 UTC by Ethan Crowder

Updated 2026-01-01 13:04:01 UTC by Ethan Crowder