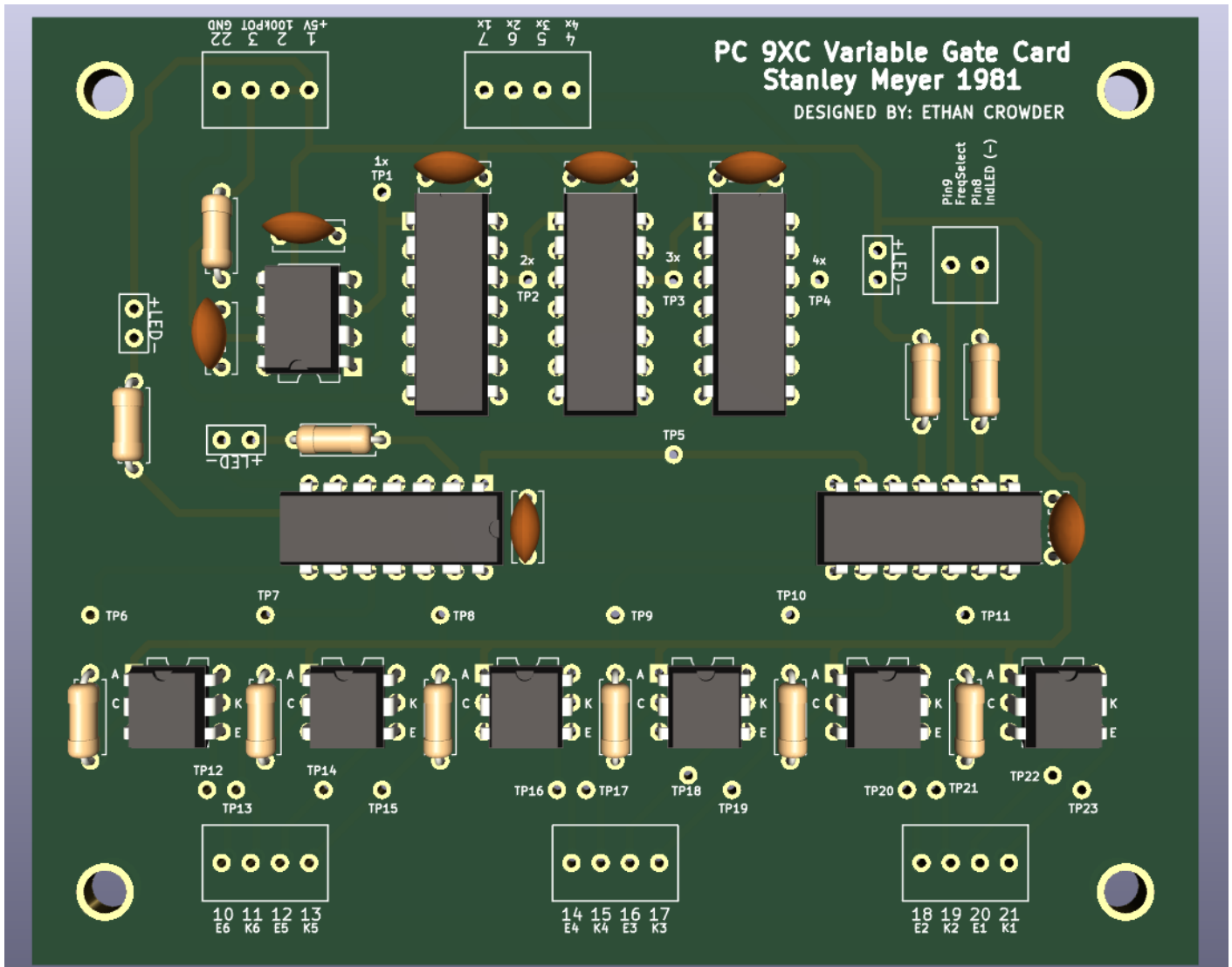


PC9XC - Variable Gate Circuit

PCB Gerber .ZIP File: [PC9XC Gerbers.zip](#)



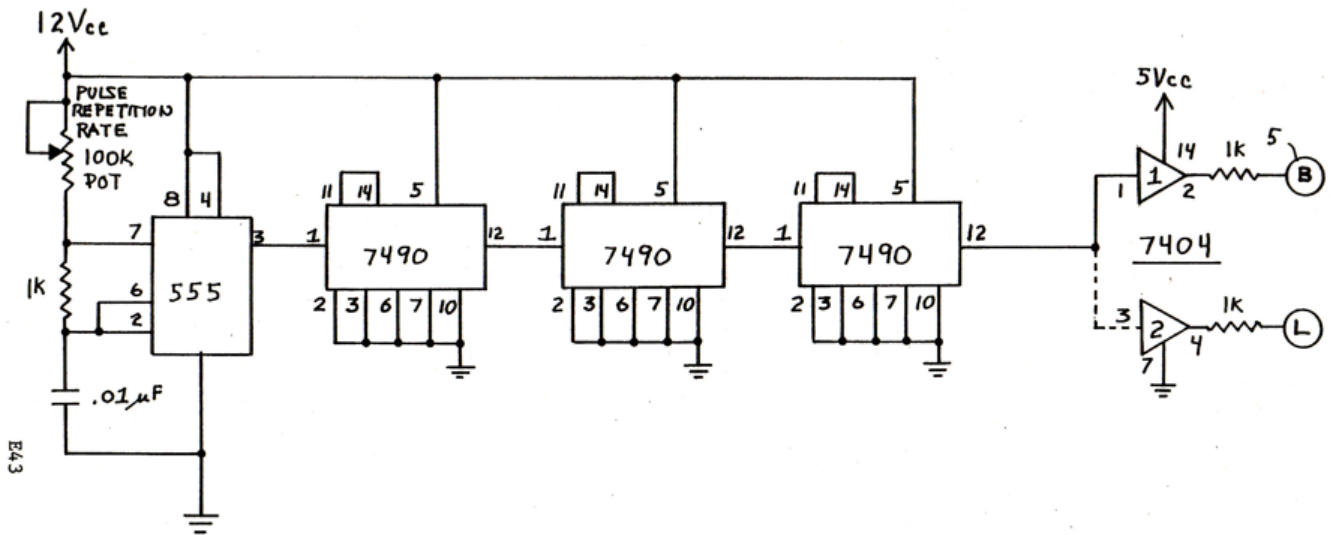


FIG.9XC: VARIABLE GATE CRK'T SCHEMATIC

COPYRIGHT © 1981 BY STANLEY A. MEYER

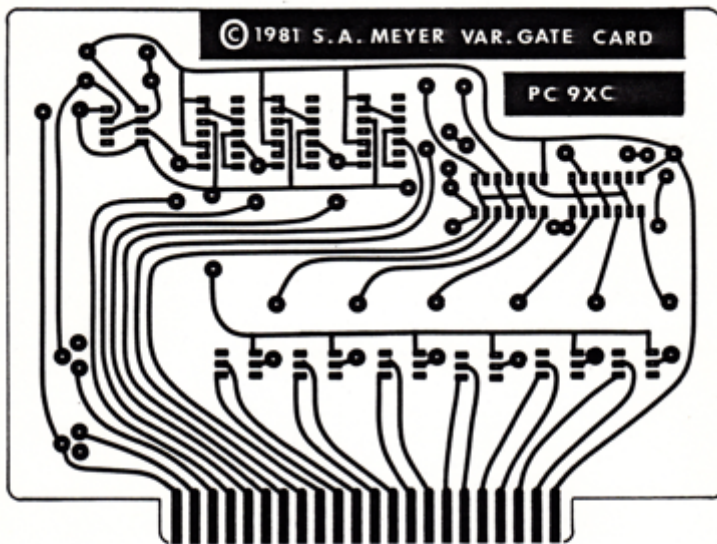


FIG. 9XC: VARIABLE GATE PRINTED CRK'T BOARD

COPYRIGHT © 1981 BY STANLEY A. MEYER

Revision #2

Created 2026-01-01 13:04:42 UTC by Ethan Crowder

Updated 2026-01-01 13:17:49 UTC by Ethan Crowder