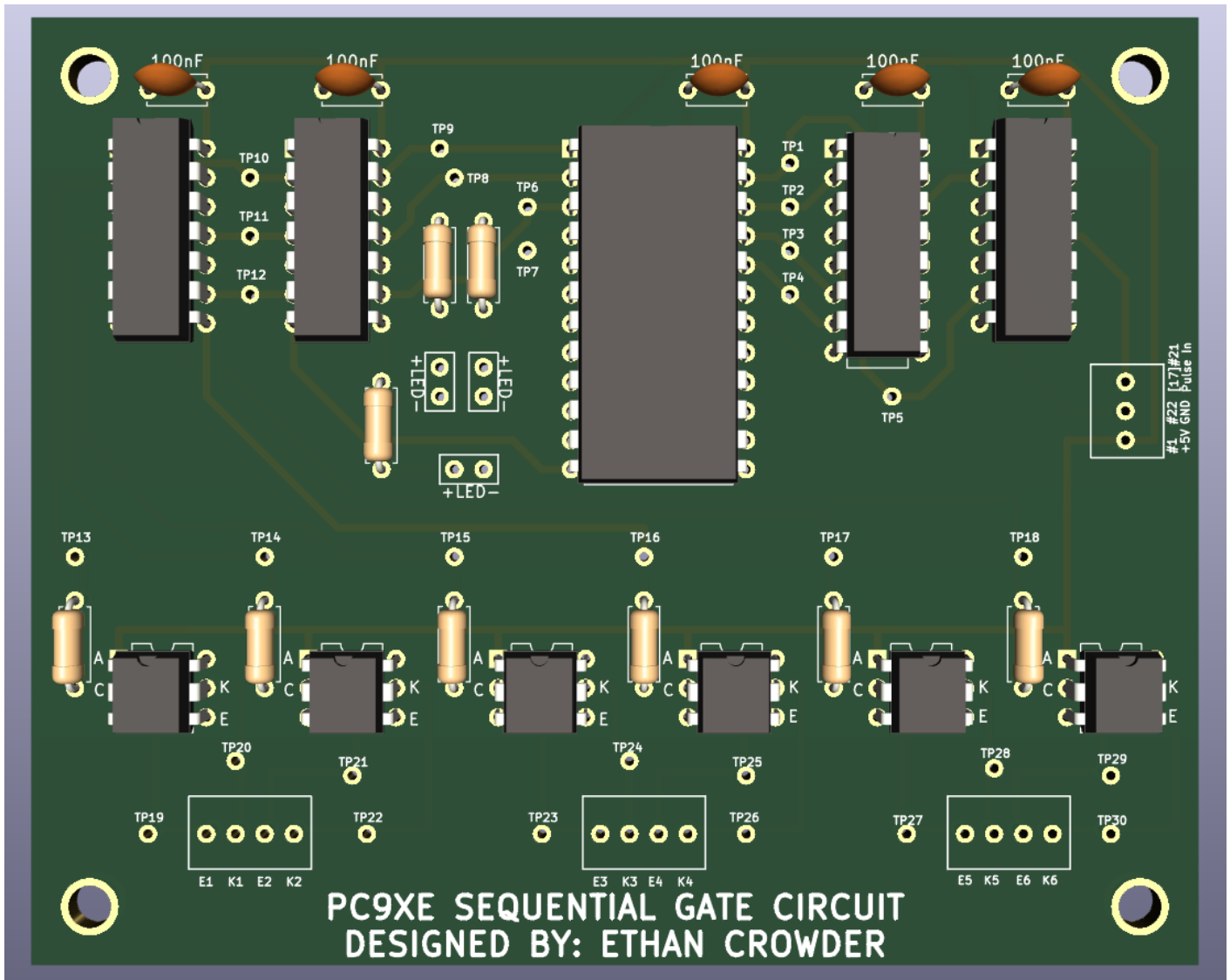


PC9XE - Sequential Gate Circuit

PCB Gerber .ZIP File: [PC9XE Gerbers.zip](#)



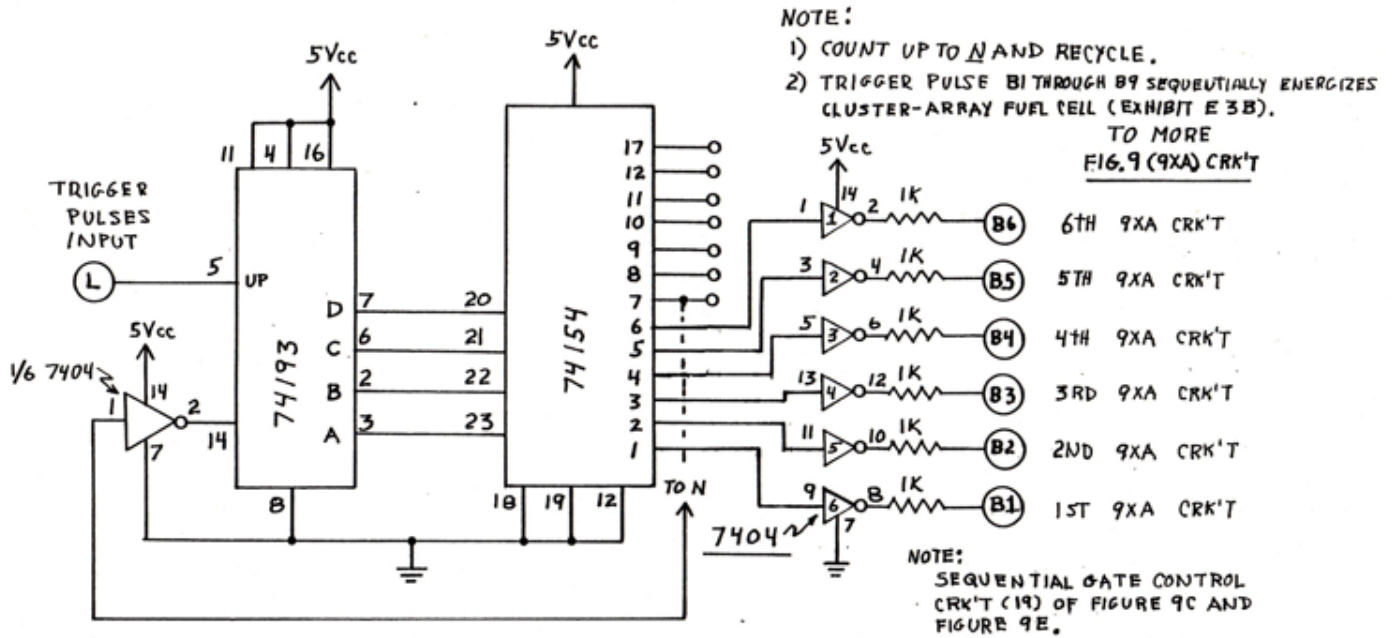


FIG. 9XE: SEQUENTIAL GATE CRK'T SCHEMATIC

COPYRIGHT © 1981 BY STANLEY A. MEYER

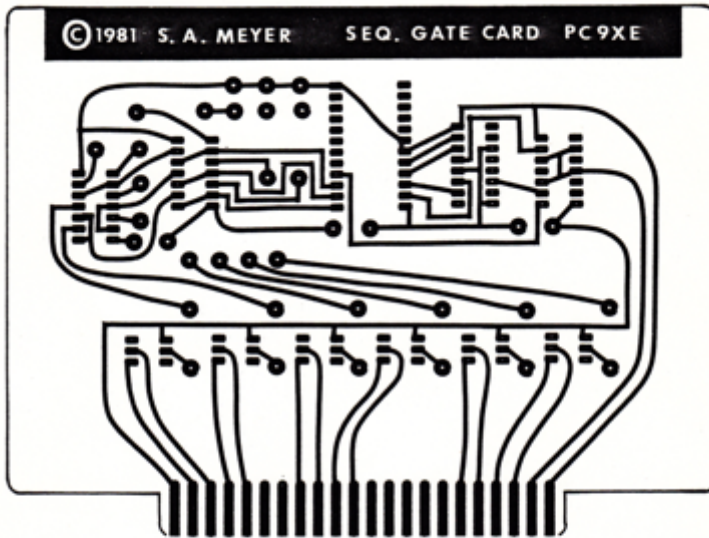


FIG. 9XEE: SEQUENTIAL GATE PRINTED CRK'T BOARD

COPYRIGHT © 1981 BY STANLEY A. MEYER

Revision #1

Created 2026-01-01 13:21:35 UTC by Ethan Crowder

Updated 2026-01-01 13:24:20 UTC by Ethan Crowder