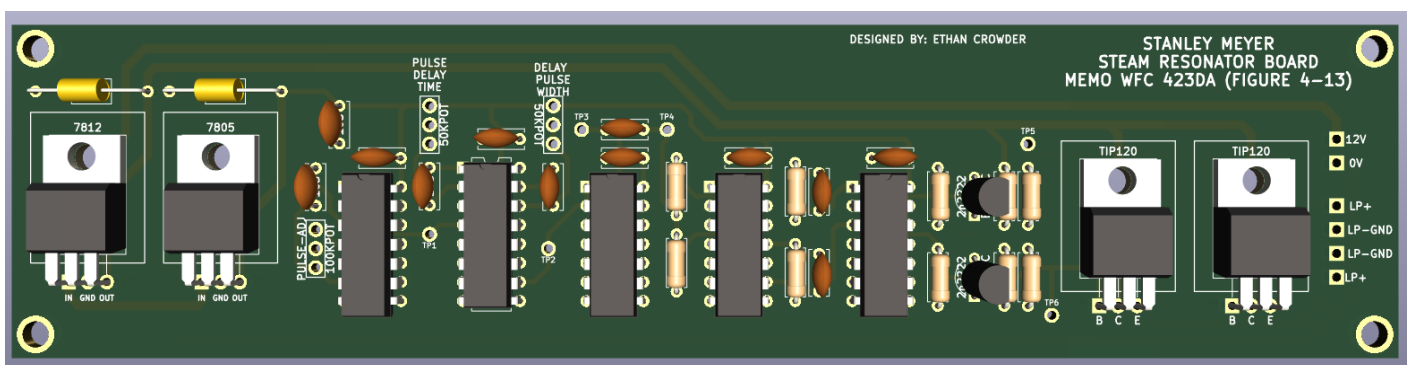
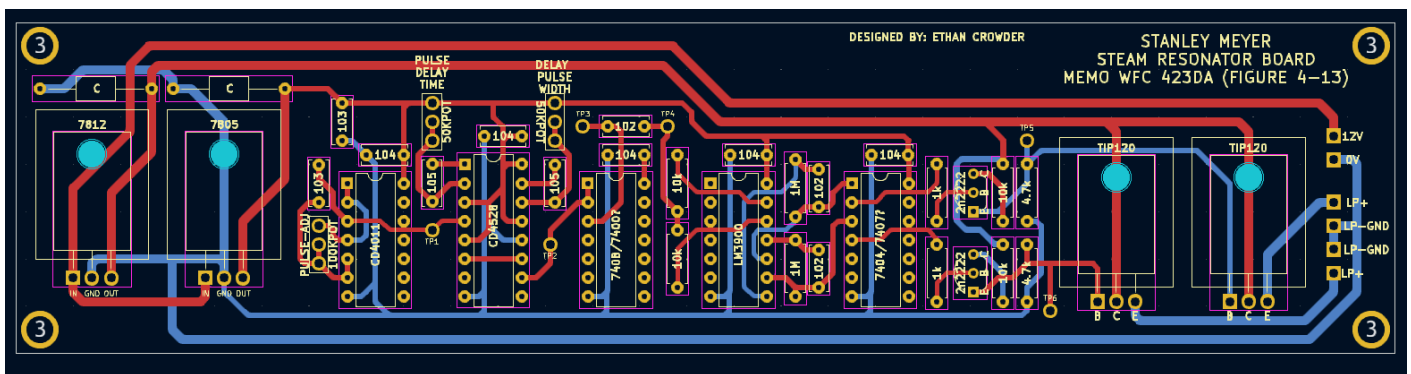


# Steam Resonator (Memo WFC 423-DA)

The PCB replica is provided below. All components are through-hole (THT) in this revision. Unfortunately, the winding ratios aren't provided in the WFC 423-DA. Experimentation will be required.

A circuit analysis document will be coming a later date.

PCB Gerber Zip File: [Steam Resonator PCB Gerbers\\_12-31-25.zip](#)



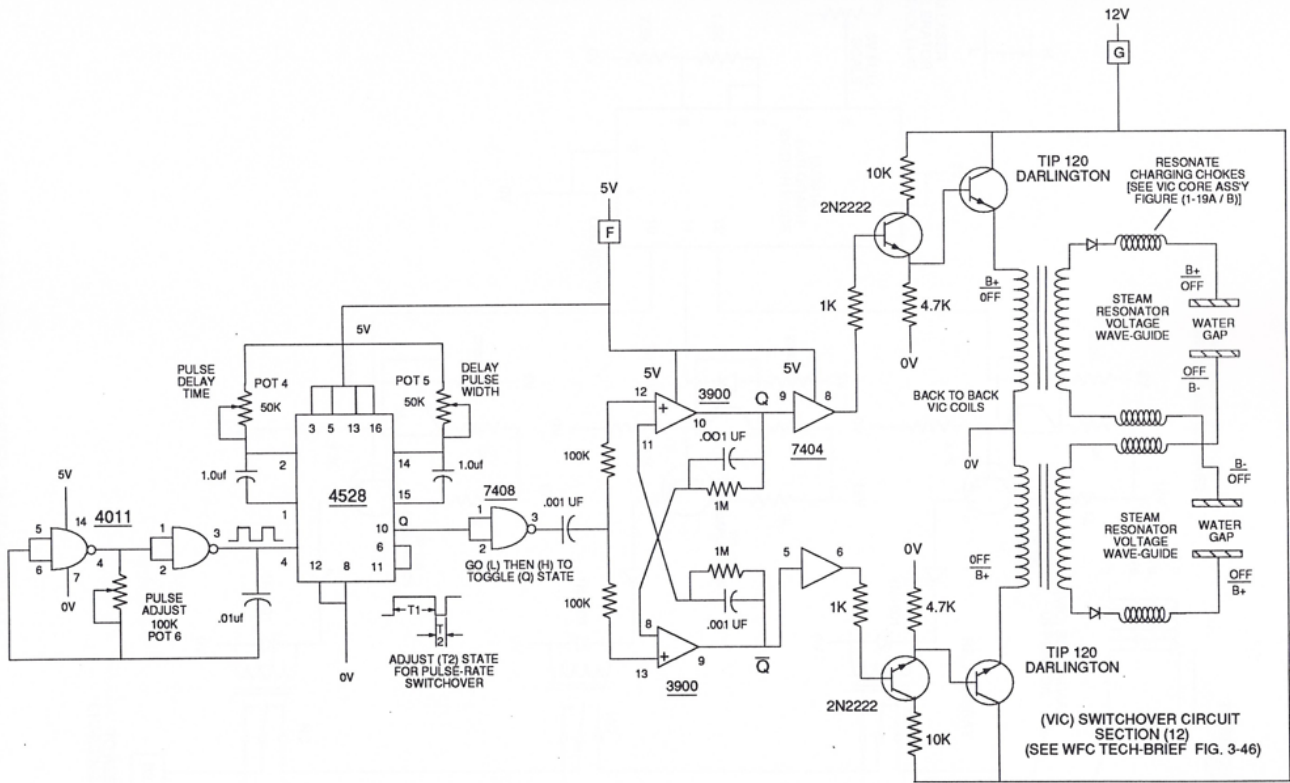


FIGURE 4-13: STEAM RESONATOR CIRCUIT

Revision #2

Created 2025-12-31 16:38:02 UTC by Ethan Crowder

Updated 2025-12-31 17:21:21 UTC by Ethan Crowder