

Gas Processor Replication

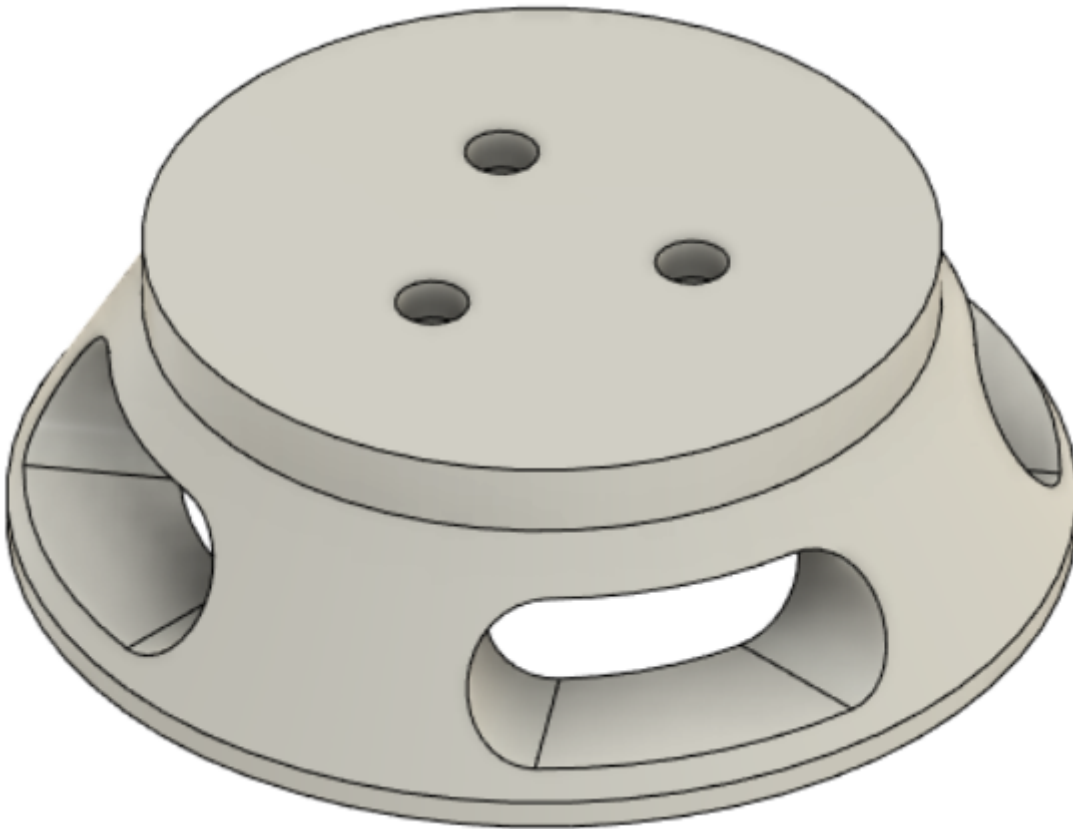
- [3D Printable Replication](#)

3D Printable Replication

RETAINING CAP:

(100% Fill: 65G) , (50% Fill: 45G)

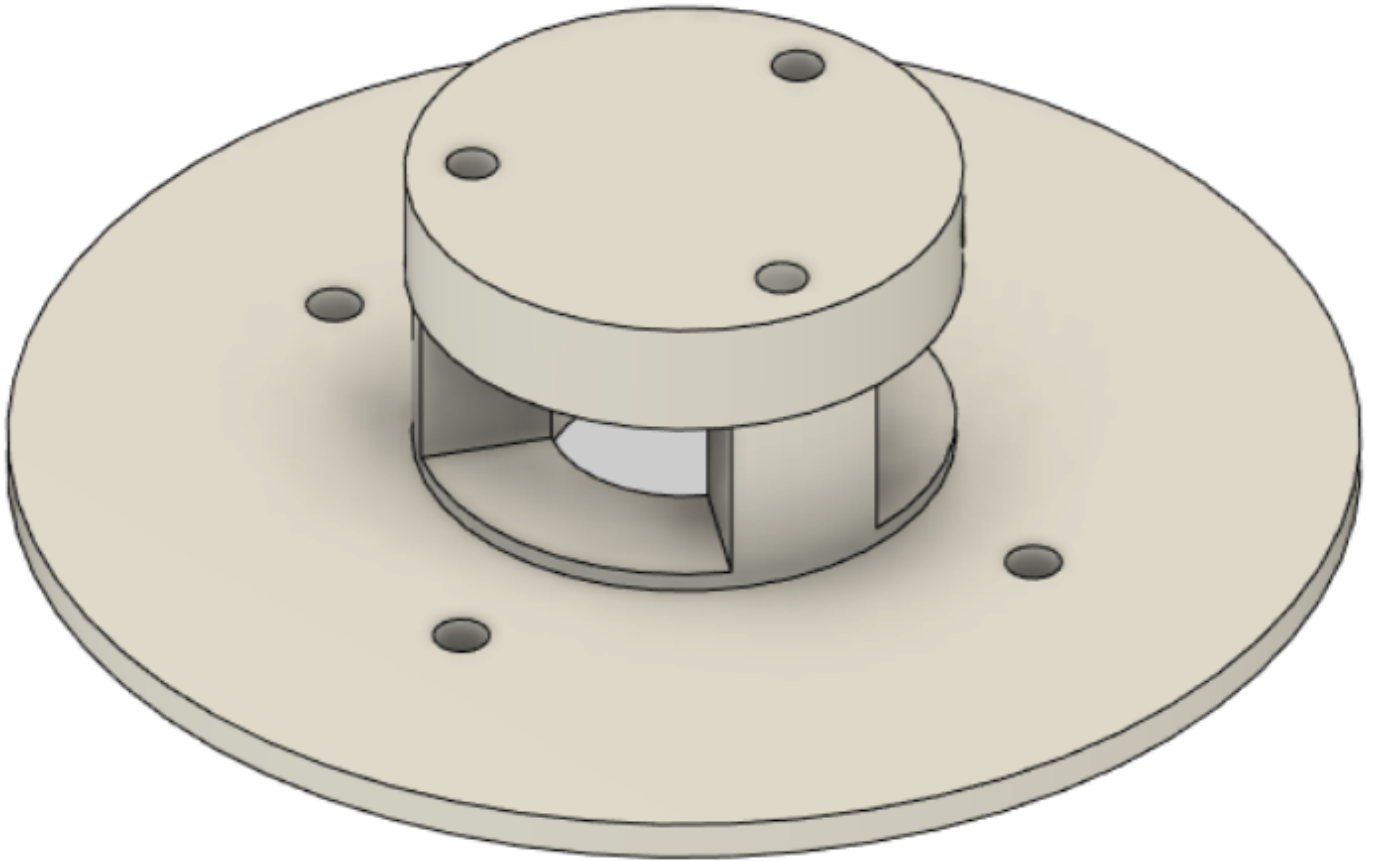
[Retaining Cap.stl](#)



UPPER INTAKE:

(100% Fill: 29G) , (50% Fill: 23G)

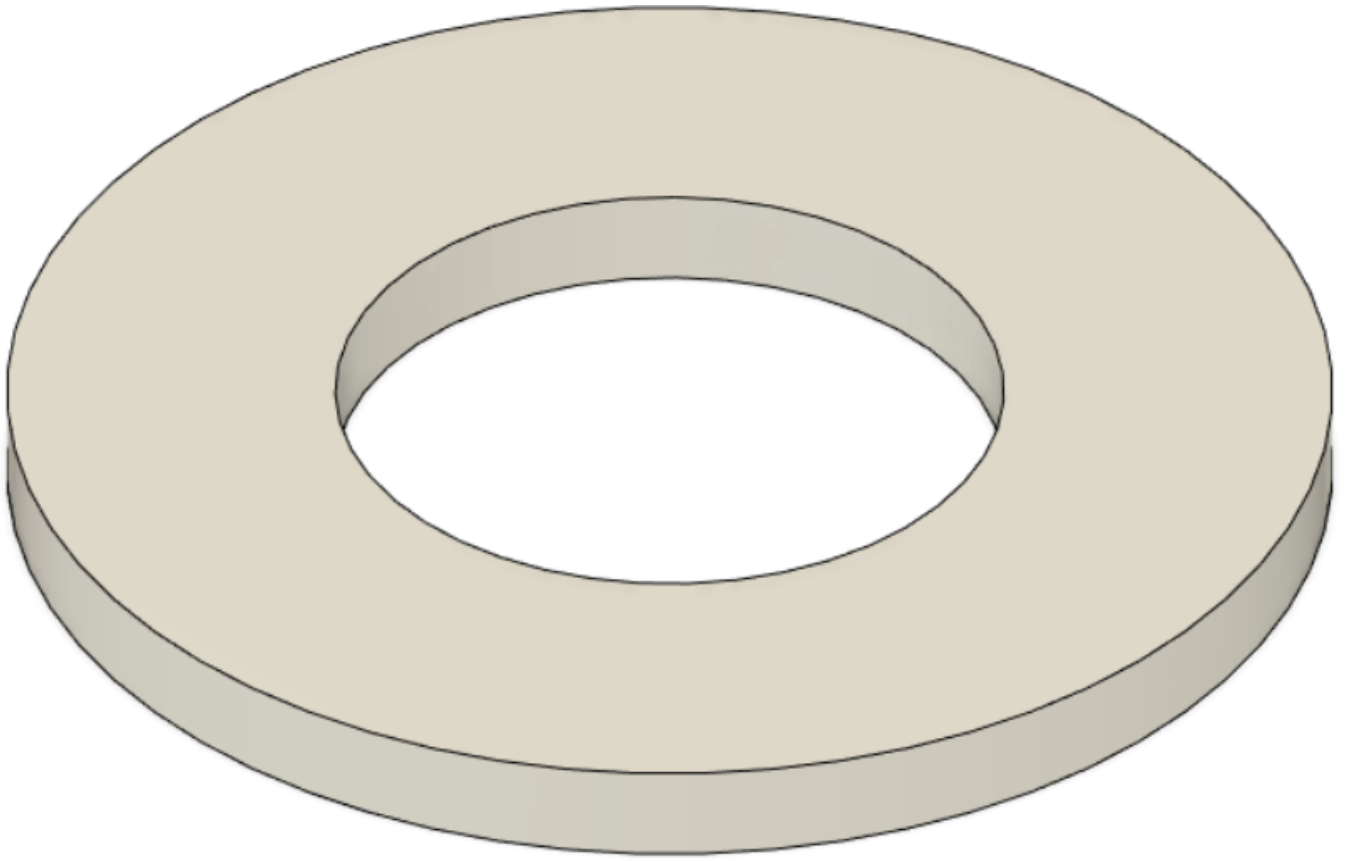
[Upper Intake.stl](#)



BOTTOM PIECE OF UPPER INTAKE:

(100% Fill: 2G) , (50% Fill: 2G)

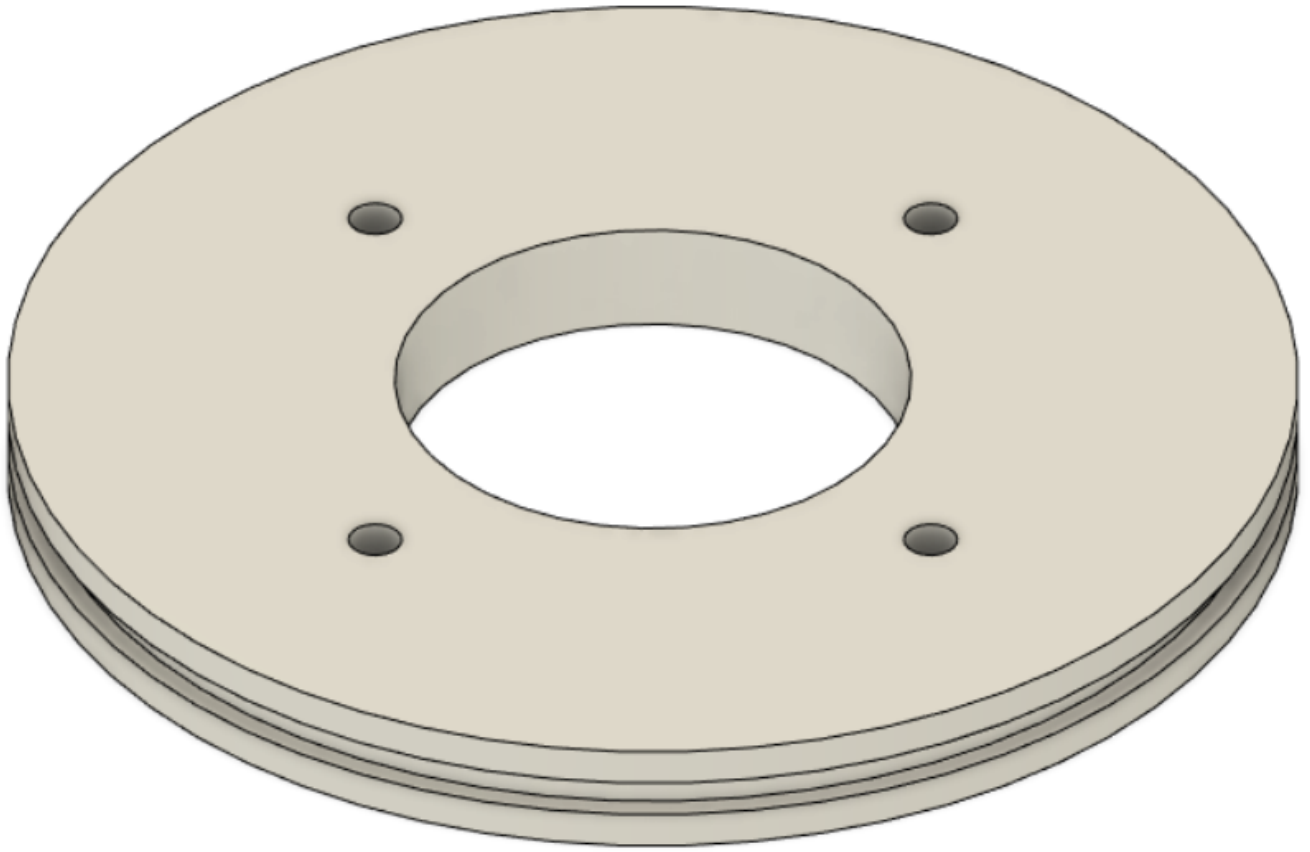
[Bottom Piece To Upper Intake.stl](#)



TOP O-RING

(100% Fill: 44G) , (50% Fill: 29G)

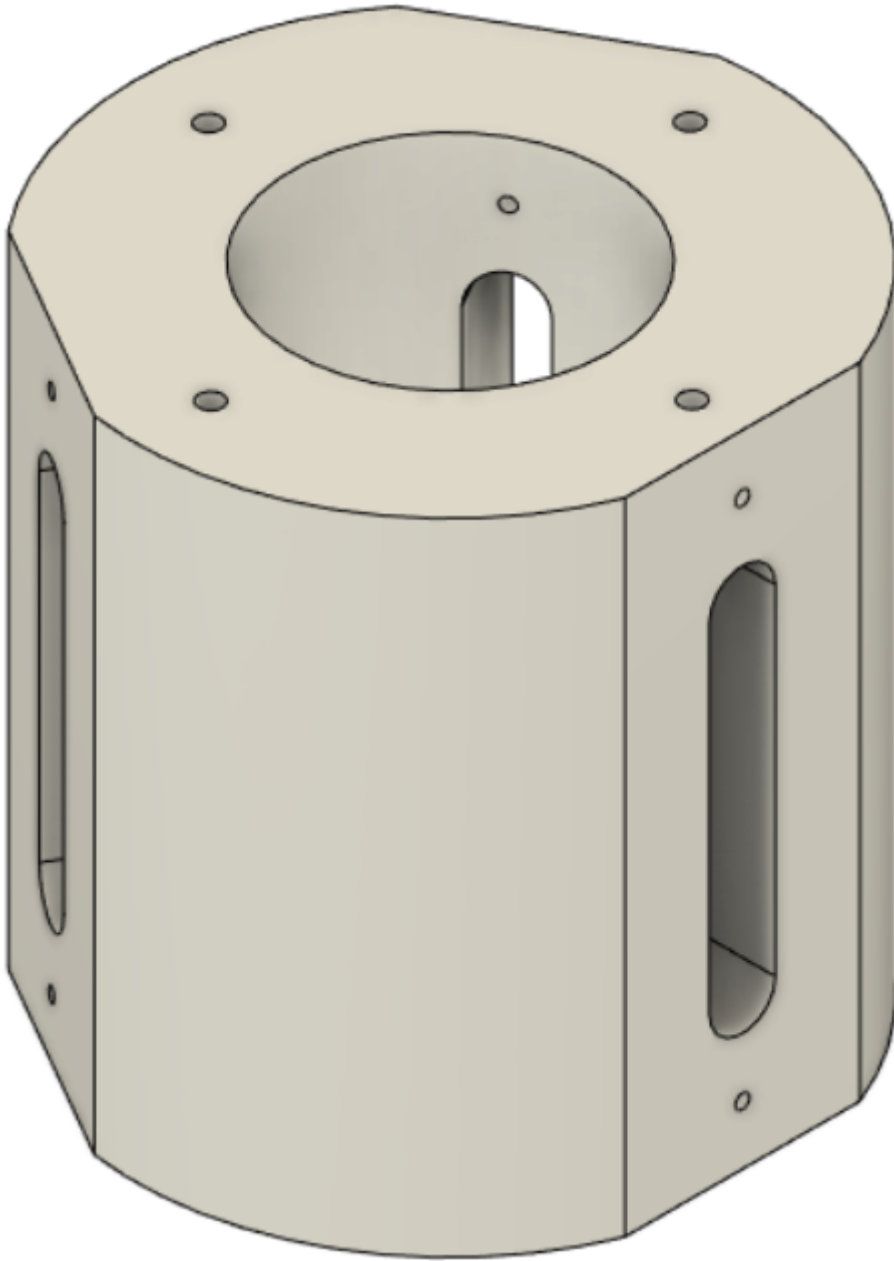
[Top O-Ring Plate.stl](#)



LED BODY:

(100% Fill: 206G) , (50% Fill: 120G)

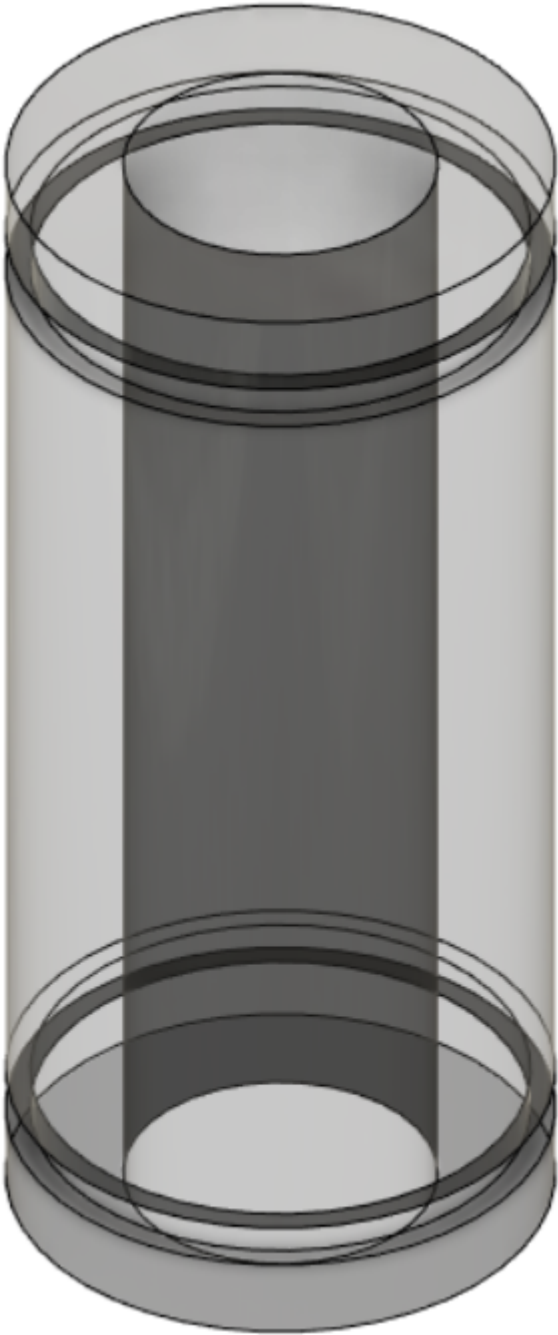
[LED Body.stl](#)



OPTICAL LENS:

(100% Fill: 58G) , (50% Fill: 37G)

[Optical Lens.stl](#)



OUTER ELECTRODE DIMENSIONS:

OUTER ELECTRODE LED GROOVE STENCIL:

(100% Fill: 6G) , (50% Fill: 6G)

[Outer Electrode Stencil .stl](#)

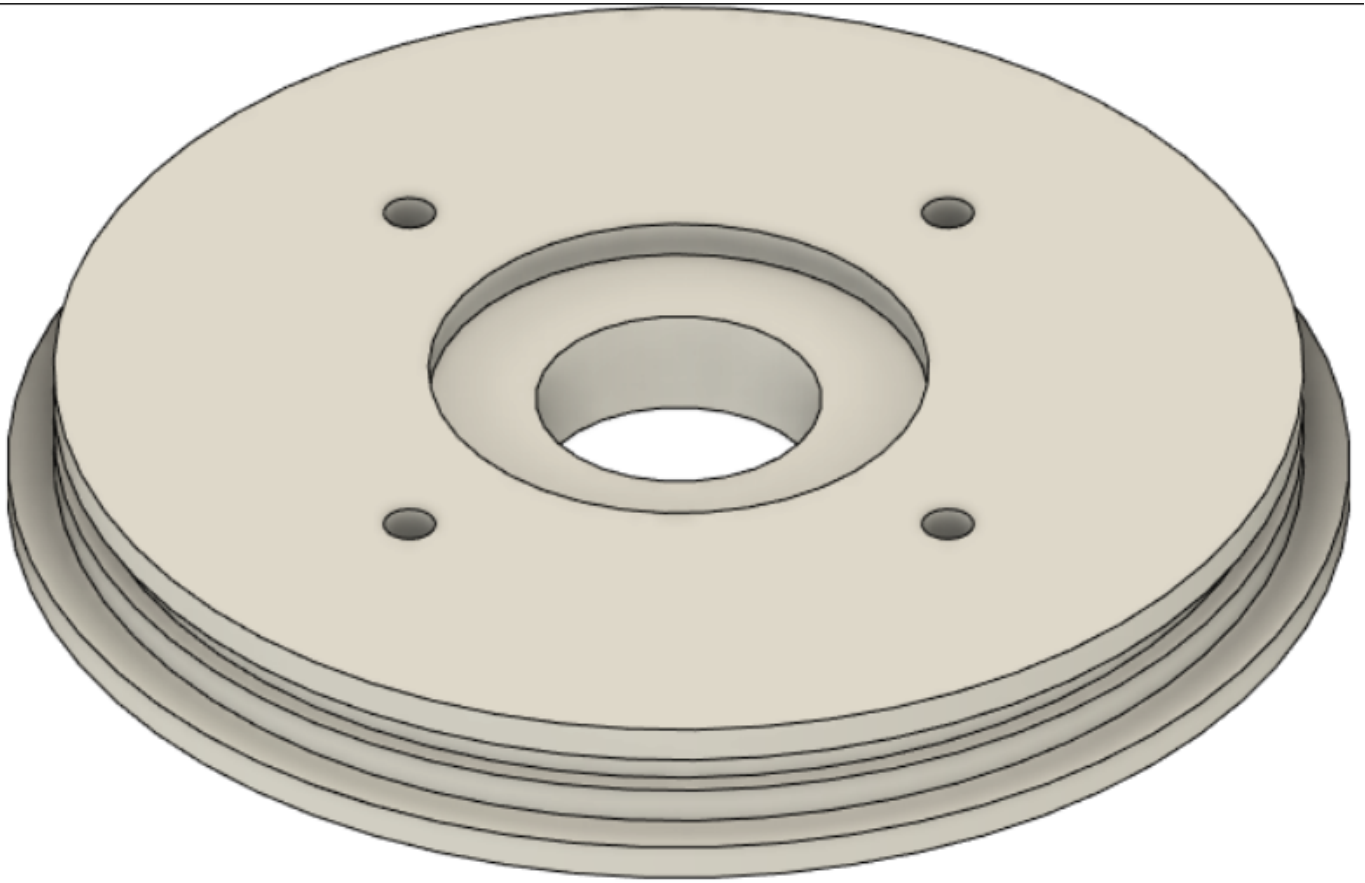


INNER ELECTRODE DIMENSIONS:

BOTTOM O-RING & BLOCK PLATE:

(100% Fill: 68G) , (50% Fill: 43G)

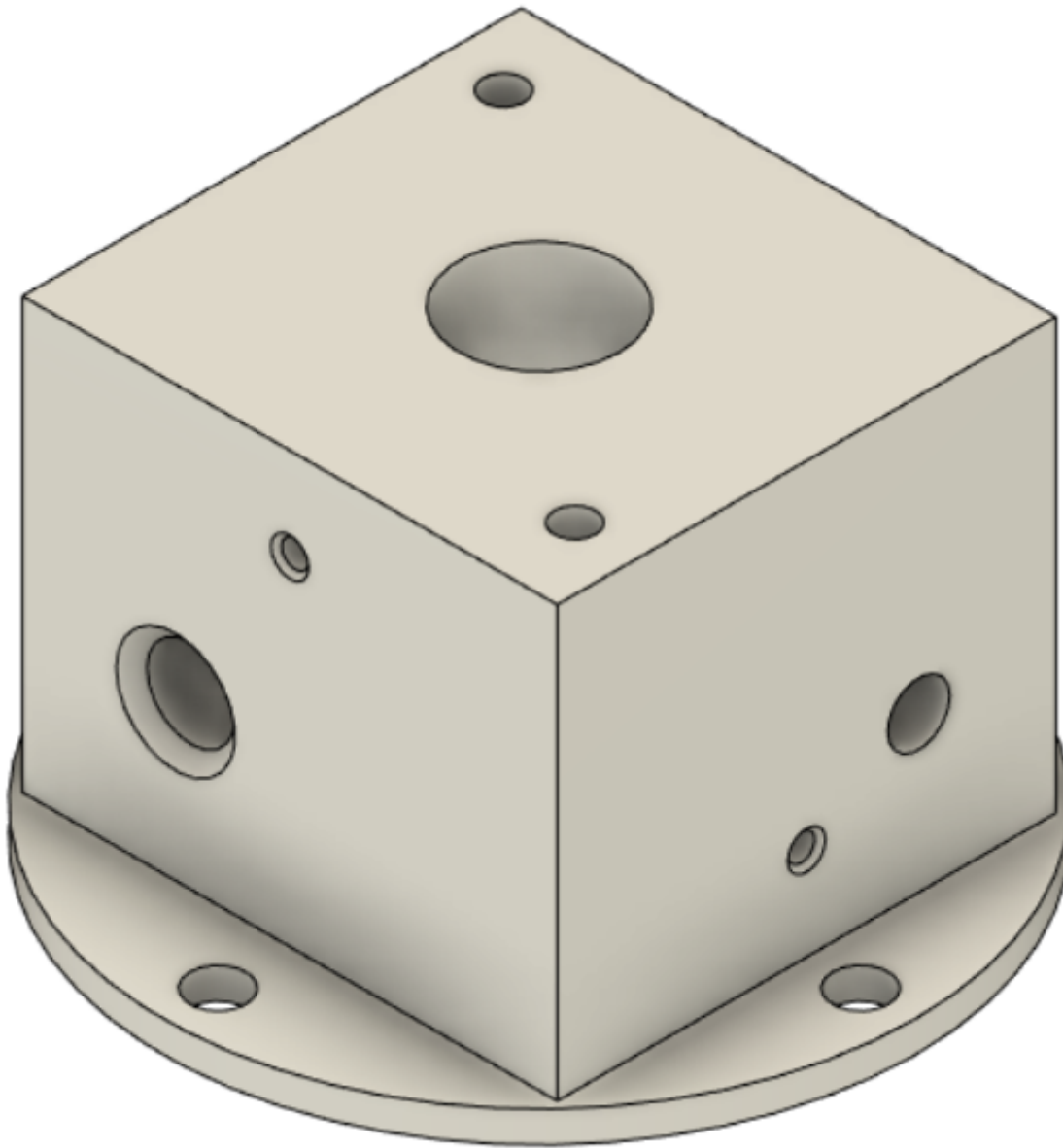
[Bottom O-Ring & Block Plate.stl](#)



BOTTOM BLOCK:

(100% Fill: 265G) , (50% Fill: 152G)

[Bottom Block.stl](#)



LED COVER:

(100% Fill: 90G) , (50% Fill: 71G)

[LED Cover.stl](#)



TOTAL ASSEMBLY:

