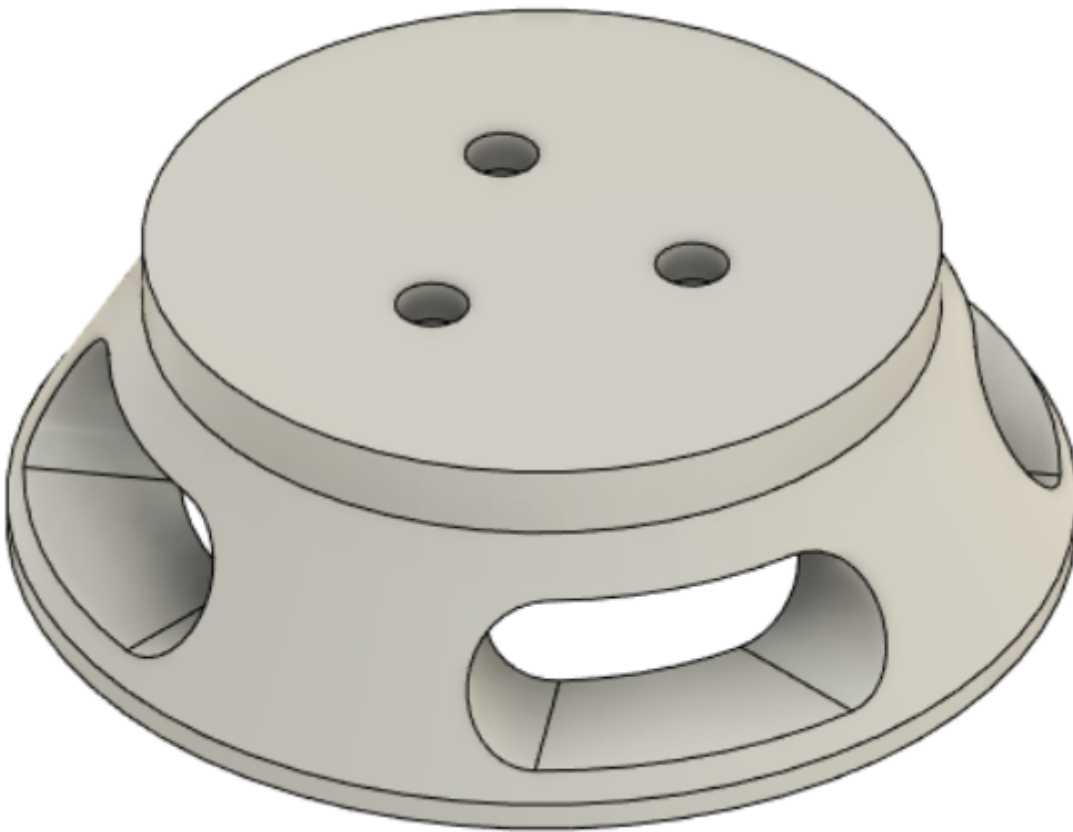


# 3D Printable Replication

## **RETAINING CAP:**

(100% Fill: 65G) , (50% Fill: 45G)

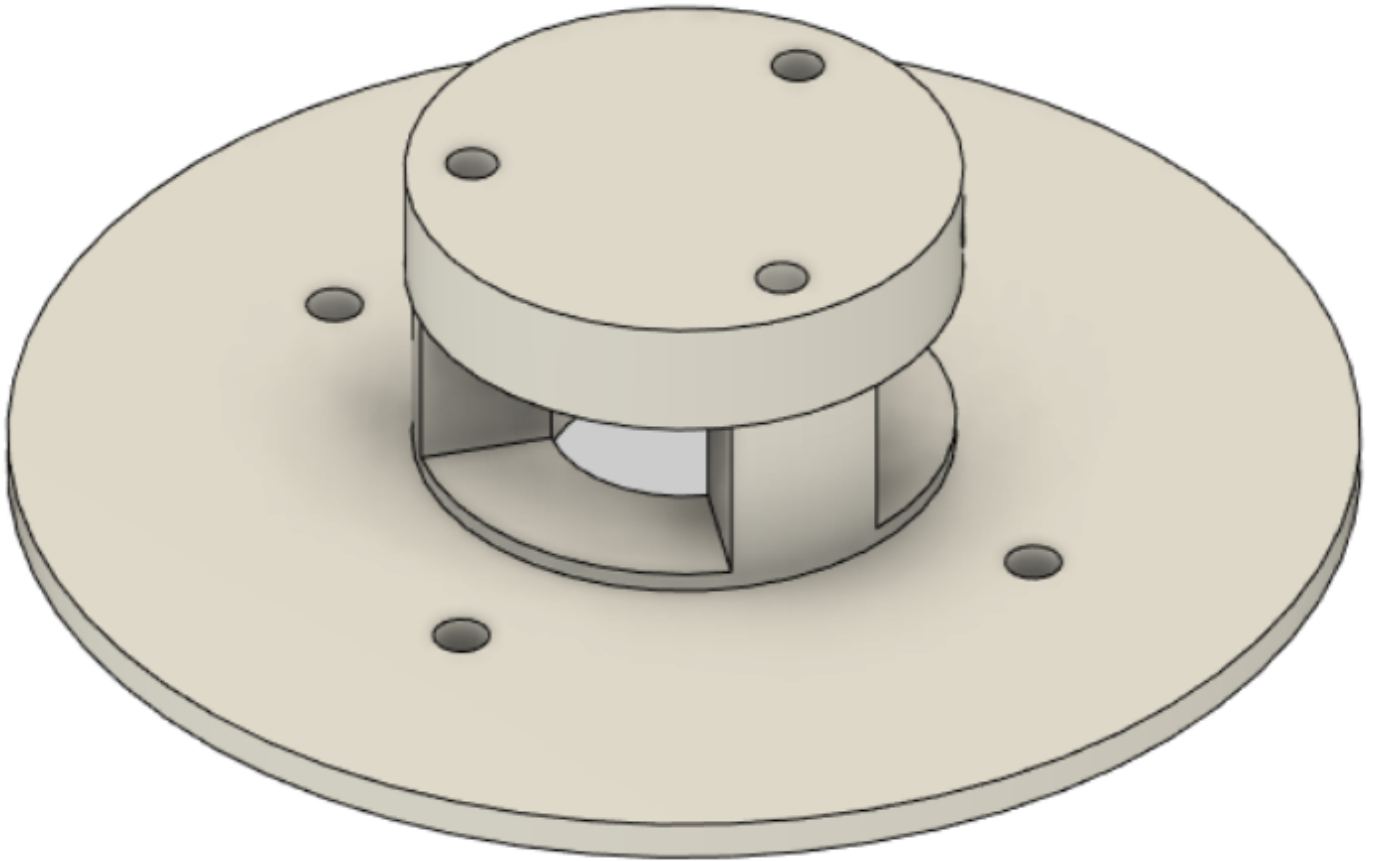
[Retaining Cap.stl](#)



## **UPPER INTAKE:**

(100% Fill: 29G) , (50% Fill: 23G)

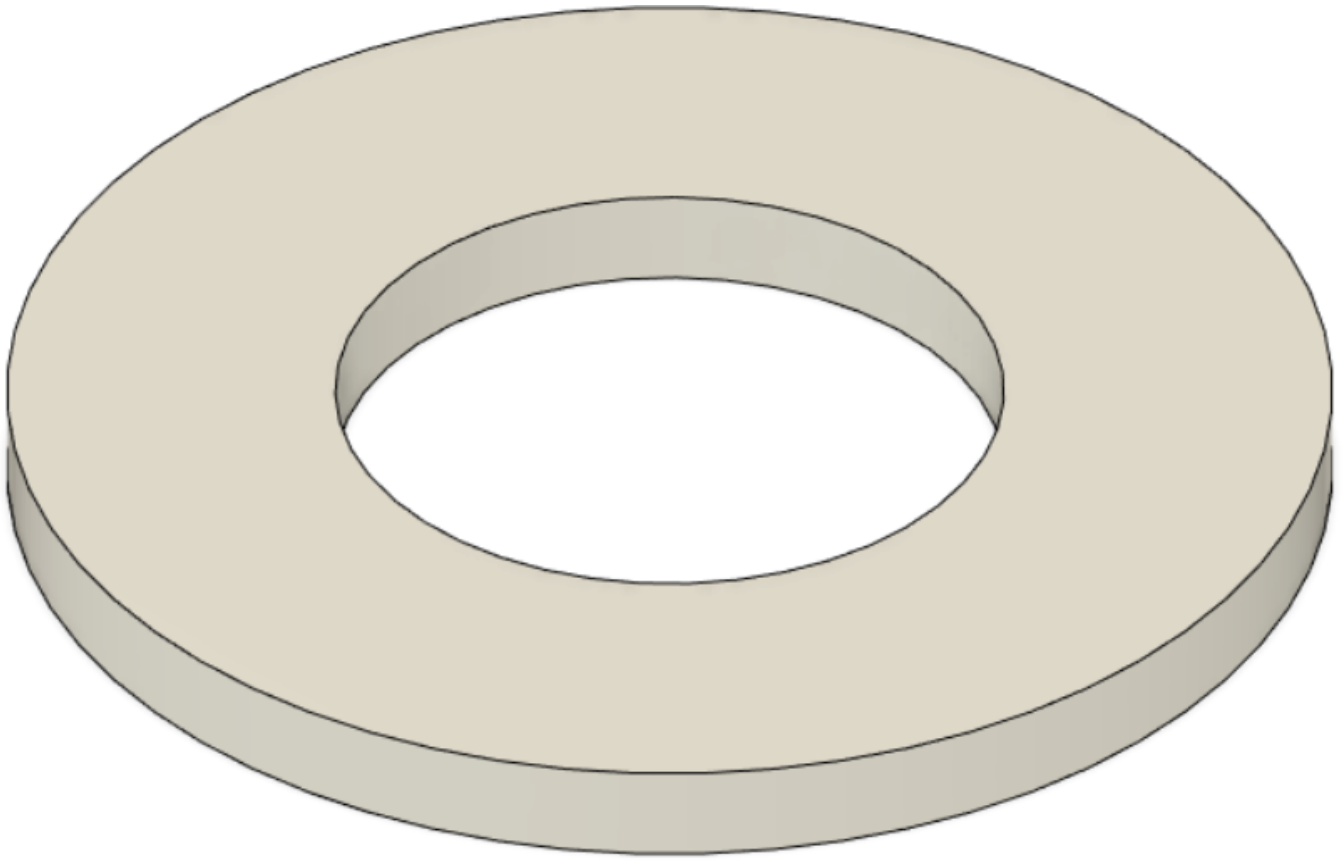
[Upper Intake.stl](#)



**BOTTOM PIECE OF UPPER INTAKE:**

(100% Fill: 2G) , (50% Fill: 2G)

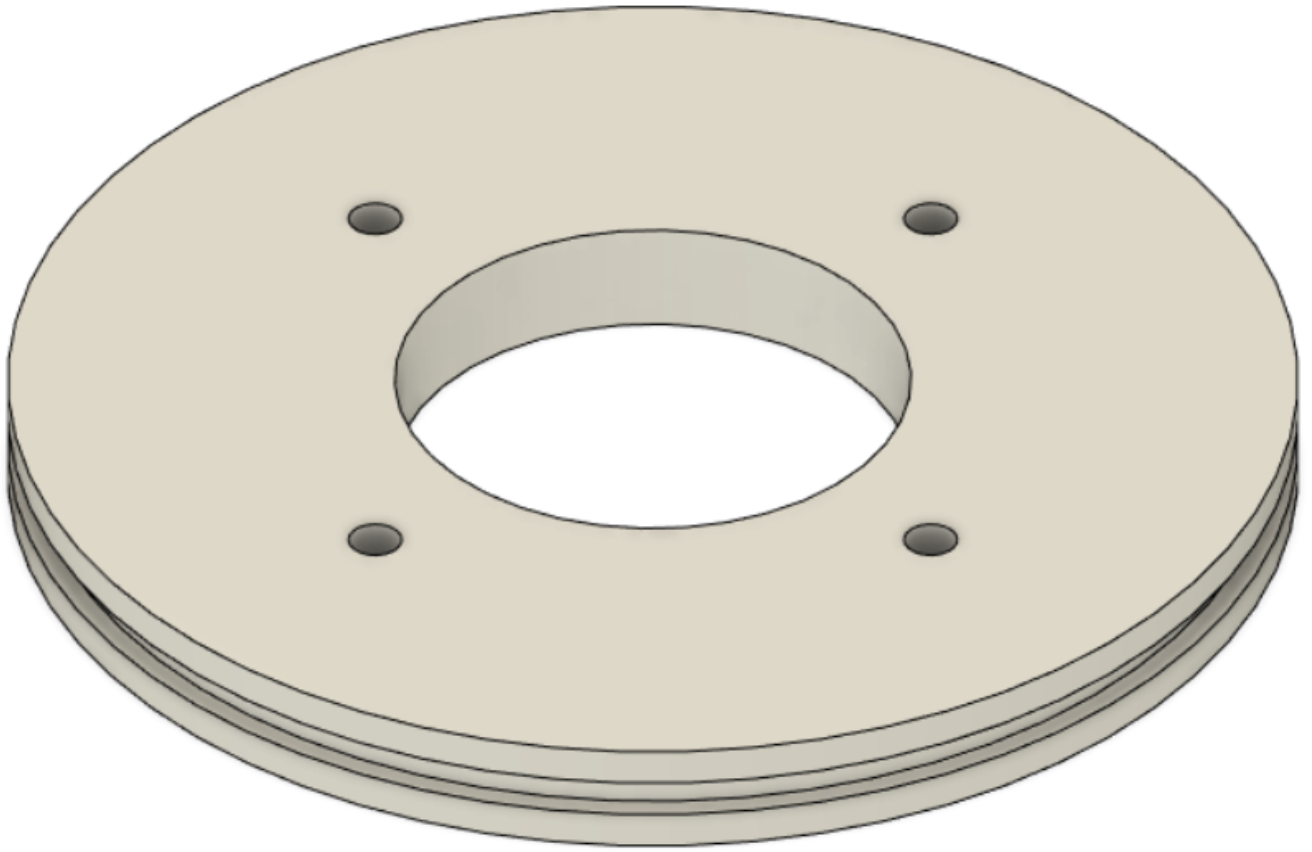
[Bottom Piece To Upper Intake.stl](#)



## **TOP O-RING**

(100% Fill: 44G) , (50% Fill: 29G)

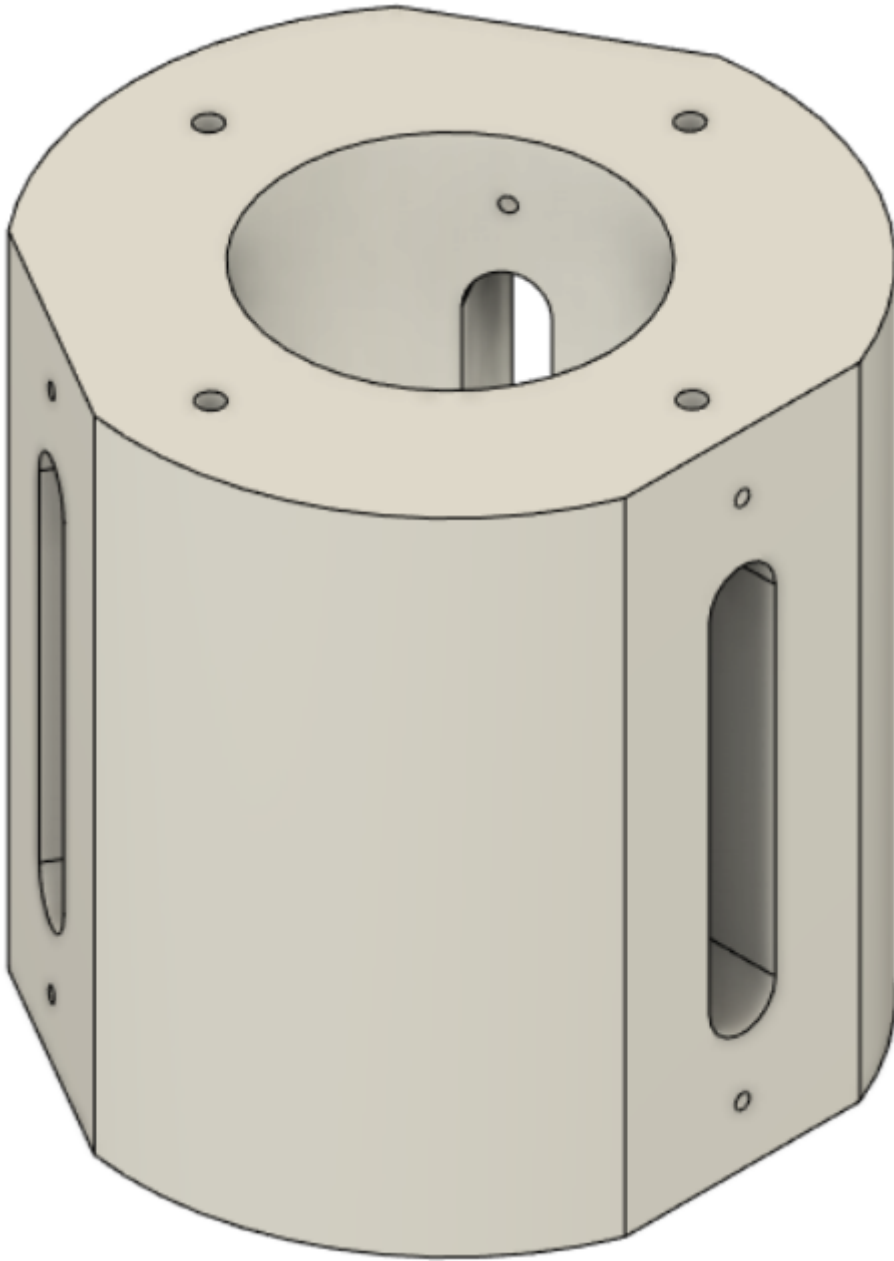
[Top O-Ring Plate.stl](#)



**LED BODY:**

(100% Fill: 206G) , (50% Fill: 120G)

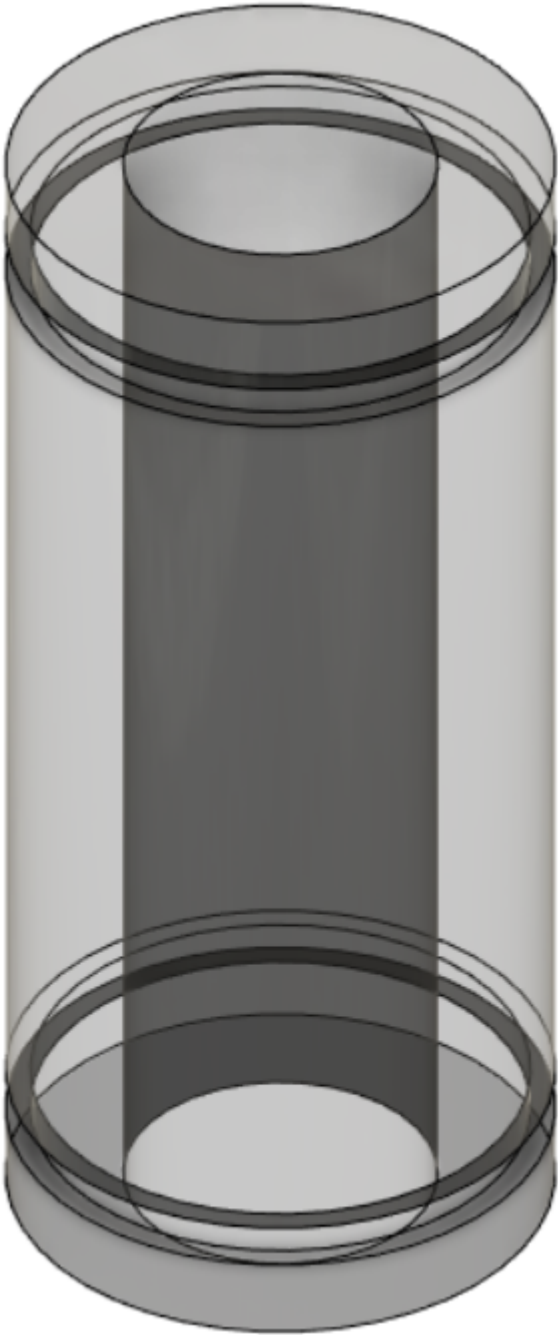
[LED Body.stl](#)



**OPTICAL LENS:**

(100% Fill: 58G) , (50% Fill: 37G)

[Optical Lens.stl](#)



**OUTER ELECTRODE DIMENSIONS:**

**OUTER ELECTRODE LED GROOVE STENCIL:**

(100% Fill: 6G) , (50% Fill: 6G)

[Outer Electrode Stencil .stl](#)

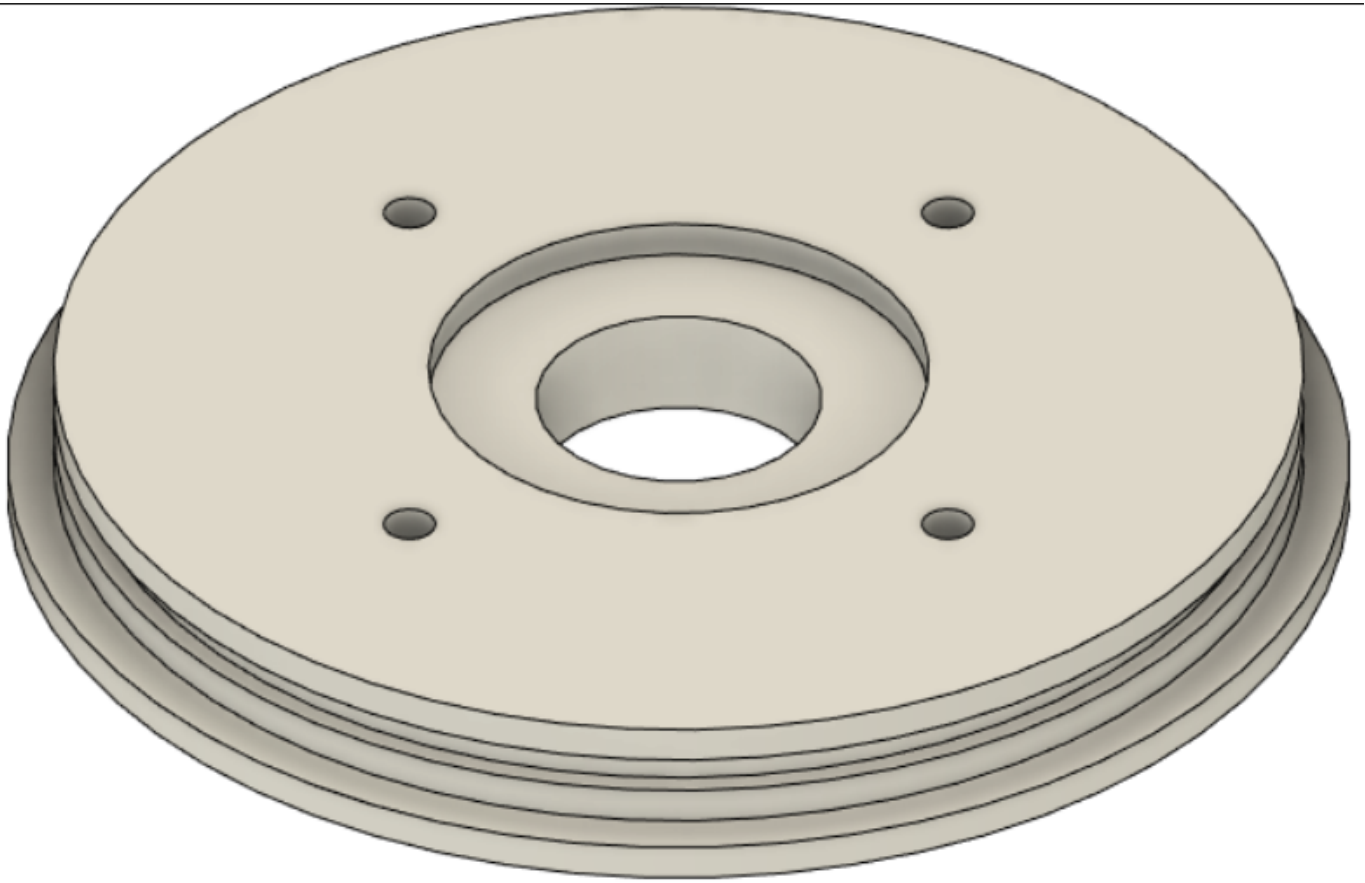


**INNER ELECTRODE DIMENSIONS:**

**BOTTOM O-RING & BLOCK PLATE:**

(100% Fill: 68G) , (50% Fill: 43G)

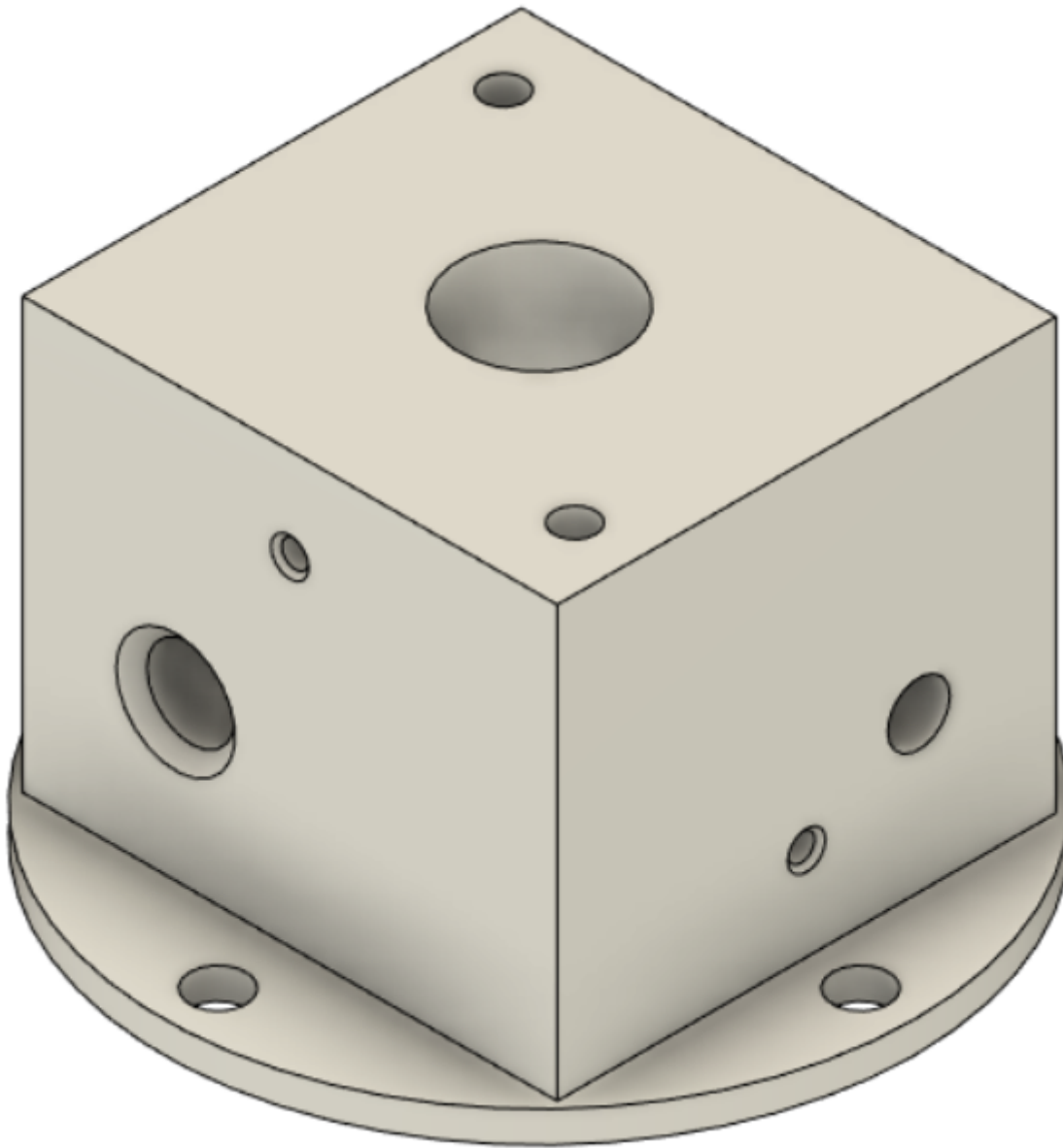
[Bottom O-Ring & Block Plate.stl](#)



**BOTTOM BLOCK:**

(100% Fill: 265G) , (50% Fill: 152G)

[Bottom Block.stl](#)



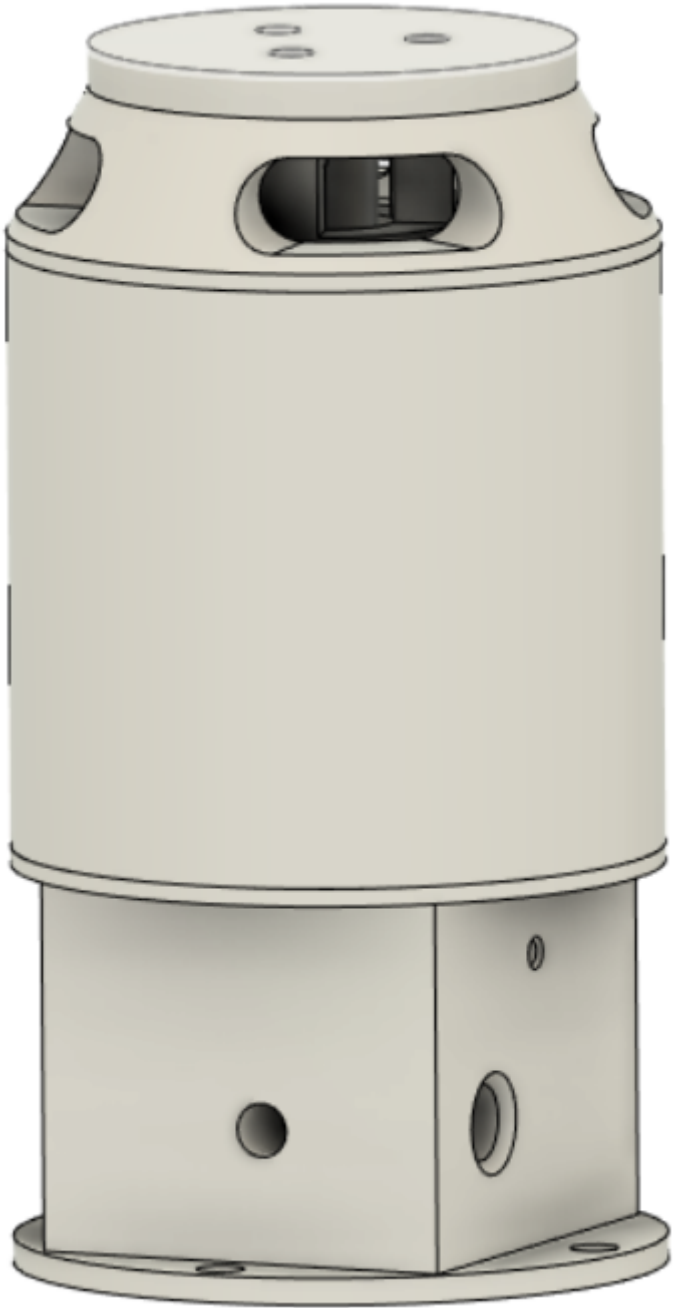
**LED COVER:**

(100% Fill: 90G) , (50% Fill: 71G)

[LED Cover.stl](#)



**TOTAL ASSEMBLY:**



---

Revision #5

Created 2023-05-18 12:52:37 UTC

Updated 2023-09-12 20:32:06 UTC