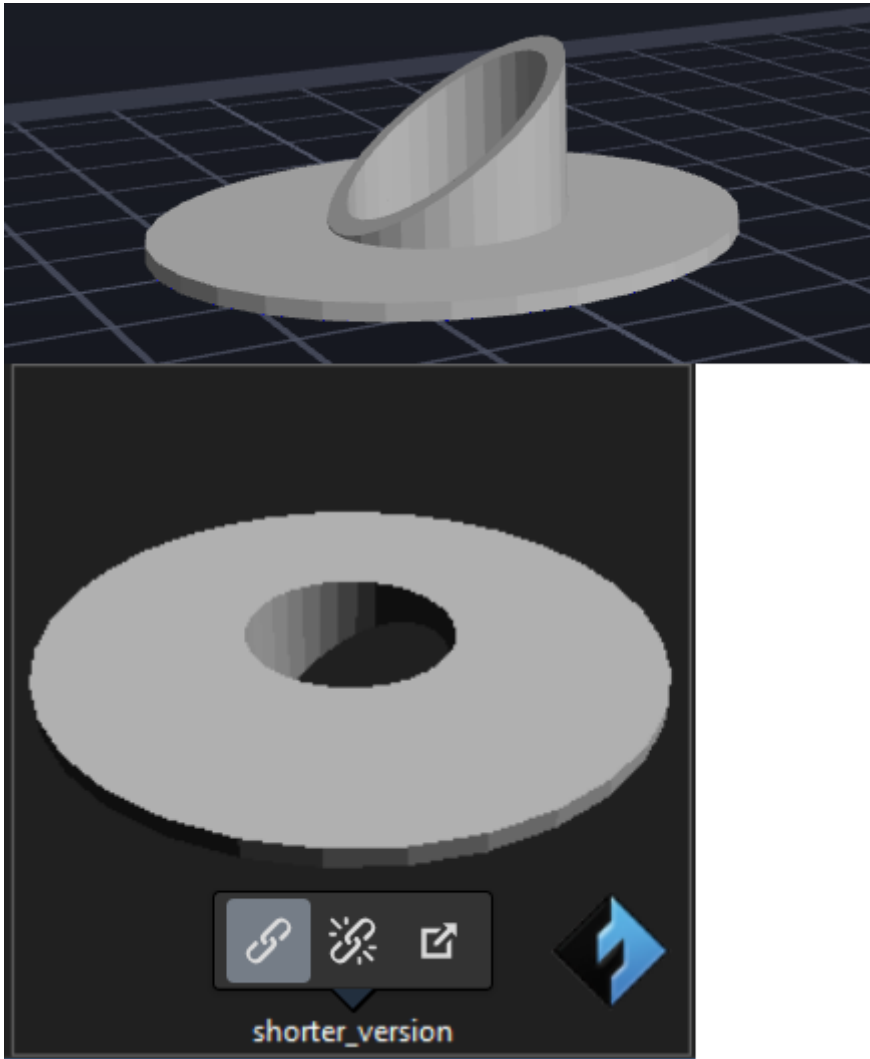
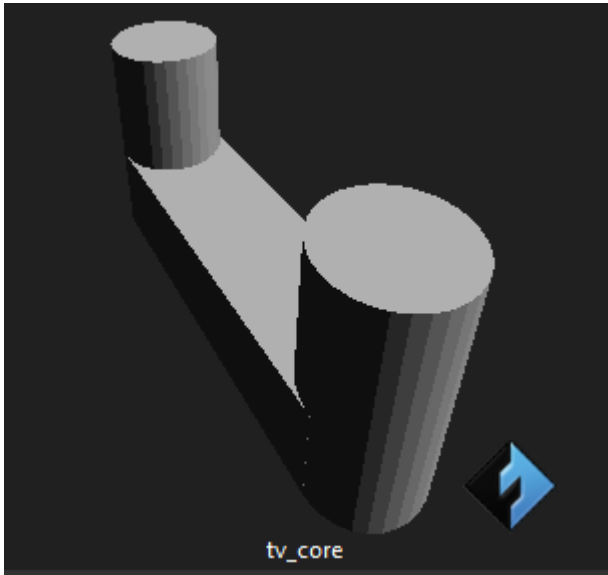


STLs provided by Max

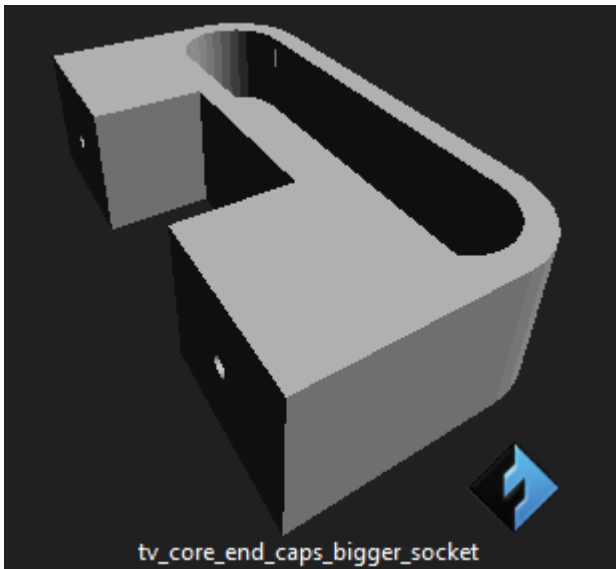
[shorter_version.stl](#)



[tv_core.stl](#)



[tv_core_end_caps_bigger_socket.stl](#)



Revision #2

Created 2022-11-19 21:53:33 UTC

Updated 2022-11-19 23:40:05 UTC