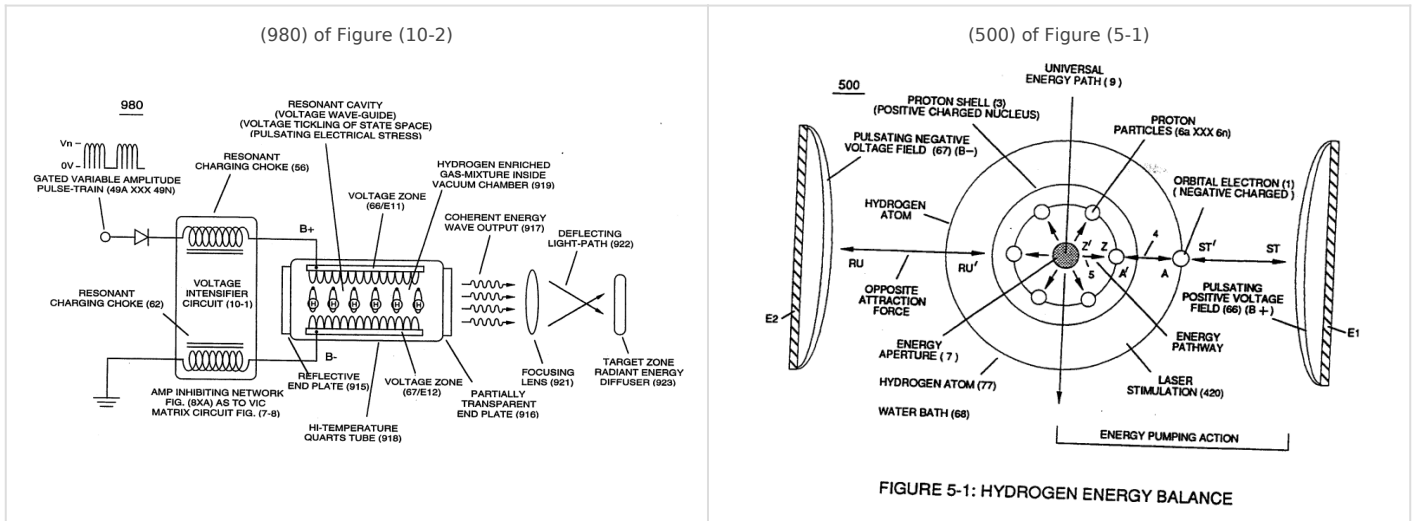


# A Technique Called "Easer"

**Energy Priming Stage** (500) of Figure (5-1) is, now, activated and performed when the hydrogen atom (s) is exposed to applied **Voltage-Sync Gate Pulse** (Vgp) by which **Electrical Voltage Attraction Forces** (Electrical Stress) (RU-RU' - ST-ST') causes "**Particle Oscillation**" of the hydrogen atom (s) to **emit radiant energy** (Ers) (919), as so illustrated in (980) of Figure (10-2) as to (500) of Figure (5-1).



The applied unipolar **Positive Voltage Pulse** (B+) (ST -ST') electrically attracts the negative charged atom electron;

while, simultaneously, applied unipolar **Negative Voltage Pulse** (B-) (RU-RU') electrically attracts the positive charged Proton, (3) that forms the nucleus of the hydrogen atom

... causing the hydrogen atom to elongate under **Atomic Electrical Stress** (Aes)( $\Delta AA'-\Delta ZZ'$ )

... whereby, **atomic electrical attraction force** (4) that exists between the deflected orbital **negative charged electron** -(1) and the pivotal positive charged **Proton** (3) is attenuated ( $\Delta 4a \text{ xxx } \Delta 4n - \Delta 5a \text{ xxx } \Delta 5n$ )

... which, in turns, attenuates the spin-velocity of the "**Gyroscopic Regulator**" of the hydrogen nucleus to cause **Energy Aperture** (7) to emit/transmit more or greater amount of **Universal Energy** (9) *into, through, and beyond* the energy spectrum of the hydrogen atom for "**Energy Propagation**" (atoms being an "**Energy Generator**"

in our physical universe) by way of "**Particle Oscillation**" of the hydrogen atom (or any other atom), as so illustrated in (570) of Figure (5-10) as to (550) of Figure (5-8).

(570) of Figure (5-10)

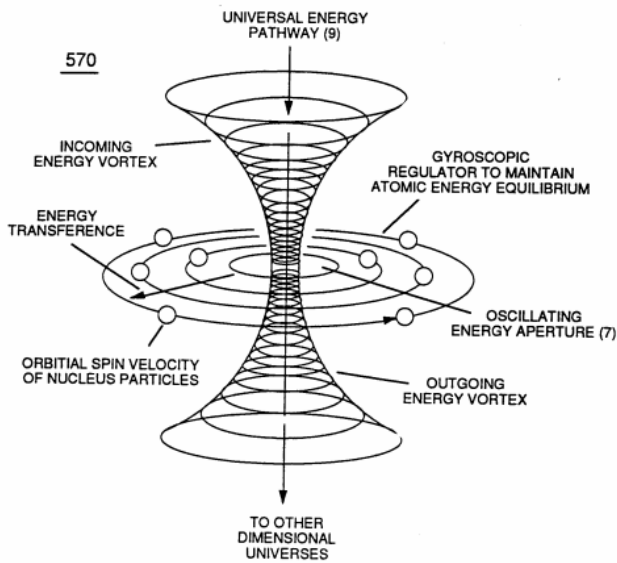


FIGURE 5-10: ENERGY APERTURE OF THE ATOM

(550) of Figure (5-8)

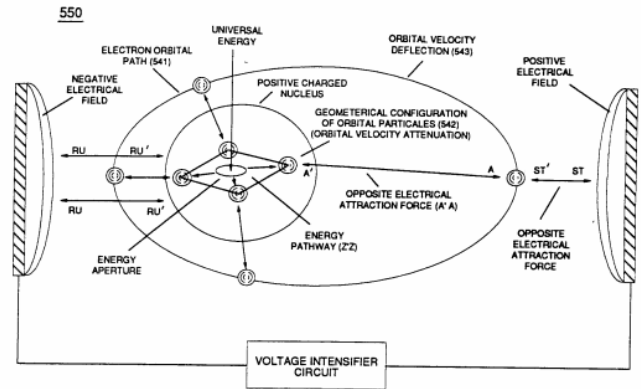


FIGURE 5-8: COVALENT SWITCH-OFF

**Voltage Peak Potential** [peaking-out electrical stress (xxx Aes) since opposite voltage potential creates/determines electrical field-strength/establishes electrical attraction forces between electrical charged particles in space relationship in an electronic circuit]

(Vpp) **not only** determines on how far the deflected orbital electron will move away from the pivotal proton during "active state" **but, also**, is directly related to **Flex-Density** (Fd) of the hydrogen atom

... **Flex-Density** (Fd) being the measure of energy-intensity (**Wavelets of energy**) emitted/released from the oscillatory hydrogen atom (undergoing particle oscillation) in proportional relationship to the field strength/intensity of the external **electrical stress-force** (Est) superimposed onto the electrical field strength (AA' -ZZ') of Figure (5-3) of the hydrogen atom in "**Quiescent State-Space**" (Qss)

electrical field strength (AA' -ZZ') of Figure (5-3)

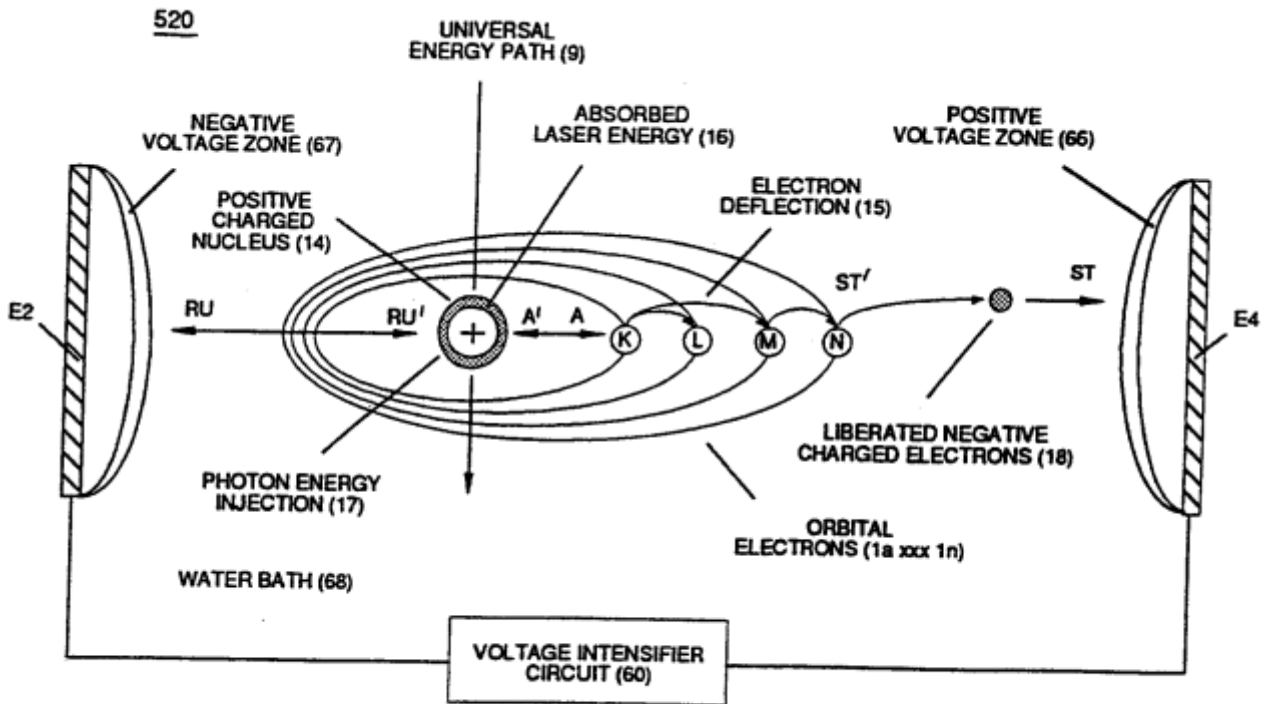


FIGURE 5-3: ENERGY PUMPING ACTION

... which, in turns, causes **Energy Aperture** (7) of the hydrogen atom to **elongate** (enlarges) to emit a discrete amount of **Universal Energy** (Ue) (9) into the energy spectrum of the hydrogen atom during each and every applied **Voltage-Sync Pulsing Cycle** (Vgpa xxx Vgpn).

Going from "**Quiescent State-Space**" (Qss) to "**Active State-Space**" (Ass) and returning to "**Quiescent State-Space**"(Qss) once again for repetitive "**State Change**" beyond the "**State Condition**" of **Equilibrium** (Esse) in a given/predetermined unit of time (d time) is, herein, called "**Voltage Tickling of State Space.**"

The greater the **electrical stress force** (xxxEsf<sub>n</sub>) per (-) **Voltage Gate-Pulse** (Esf- V gpa xxx Esf- V gpn) applied, the greater amount of **Flex-Density** (xxx Fdn) of **electromagnetic radiant energy** (917 a xxx 917) of Figure (10-2) per cm<sup>3</sup> occurs.

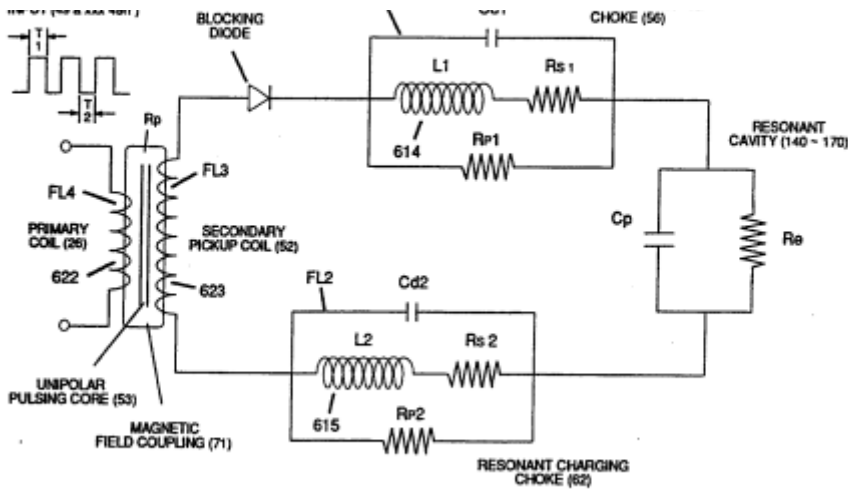
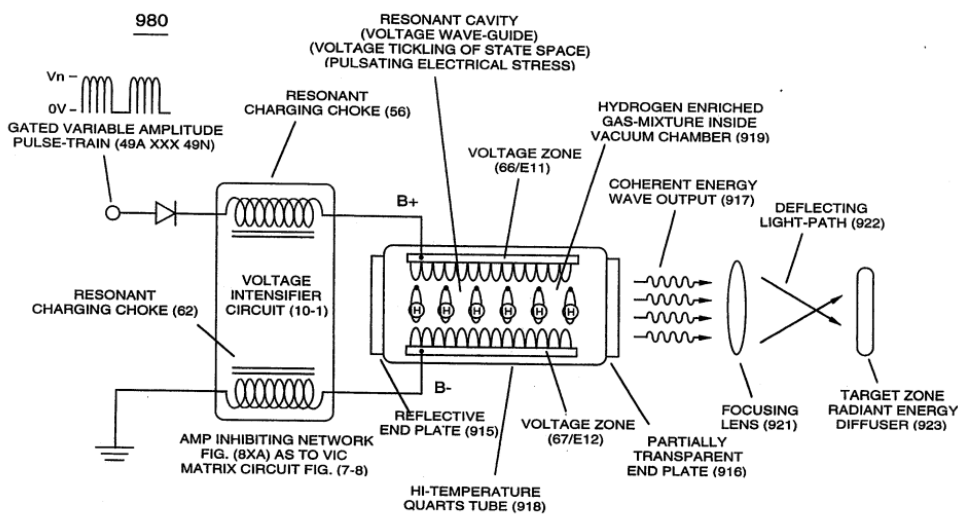


FIGURE 7-8: VIC MATRIX CIRCUIT

Once the hydrogen atom

"absorbs" a sufficient amount of **Universal Energy** ( $U_e$ )(9a-9b-9c- 9n) within the atom energy spectrum, the deflected electron (15) that have ~ to a higher energy state (activated state) (K to L orbit or beyond) **suddenly jumps back** to its original lower energy state (quiescent state) (back to K orbit) when **Input Pulse Frequency** (49) terminates **Voltage-Sync Pulse** ( $V_{sp}$ ) during applied pulse off-time ( $T_2$ ) of Figure (7-8)

... causing **spontaneous emission of coherent energy** (919) of Figure (10-2) to be emitted from partially transparent end plate (916) as long as positive pulse "on-time" ( $T_1$ ) of Figure (7-8) continues.



The **Radiant-Intensity** (Rei) of the **coherent wave-energy** (919) being released from the **quartz tube** (918) is, further, enhanced when **emitted energy-wavelets** (Ers) given off by the activated hydrogen atom are allowed to oscillate (back and forth movement) at an **ever increasing** "difference of potential" between the end plates (915/916).

Together but in separate variable forms, **Applied Voltage Peak Potential** (Vpp), **Voltage Pulse Cycling** (49a xxx 49n), and **Opposite Voltage Potential** (Vgpa xxx Vgp) forming **Voltage Sync-Pulse** (49-Vpp-Vgpa xxx 49-Vpp-Vgpn) determines the **energy-intensity** (Eie) of the **coherent-beam** (919).

**Focusing lens** (921) is simply used to redirect the **Radiant-Energy** (917) to a **heat diffuser** (923) capable of converting **Radiant-Energy** (917) to heat energy for industrial usage.

The stimulated spontaneously emission of electromagnetic radiation from the hydrogen atom (or other atoms) by way of "**Electrical Stress**" is, hereinafter, called "**Easer**."

---

Revision #8

Created 2023-12-16 04:10:19 UTC by Chris Bake

Updated 2024-12-15 23:11:57 UTC by Chris Bake