

Blocking Diode

Blocking Diode (B) prevents electrical "shorting" to secondary coil (A) during pulse-off time since the diode "**only**" conducts electrical energy in the direction of the schematic arrow.

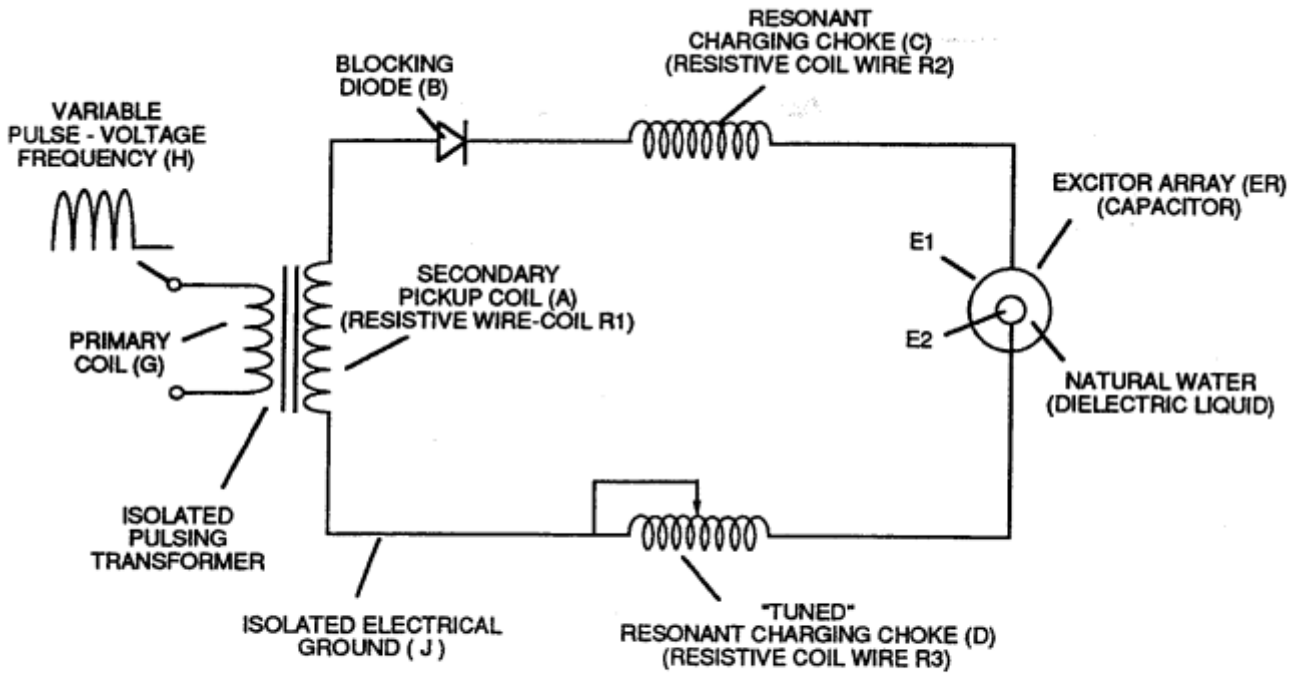


FIGURE 1-1: VOLTAGE INTENSIFIER CIRCUIT (AA)

Revision #3

Created 2023-12-19 18:31:10 UTC by Chris Bake

Updated 2023-12-20 04:43:51 UTC by Chris Bake