

VIC Matrix Circuit

VIC Coil Assembly is specially designed to allow **Voltage Potential** of "opposite electrical attraction force" of **High Voltage Intensity**" to "instantly" release **Thermal Explosive Energy** (gtnt) from natural water.

The **Voltage Intensifier Circuit** takes advantage of the "**Electron Bounce Phenomenon**" to trigger **Hydrogen Fracturing Process** without amp influxing.

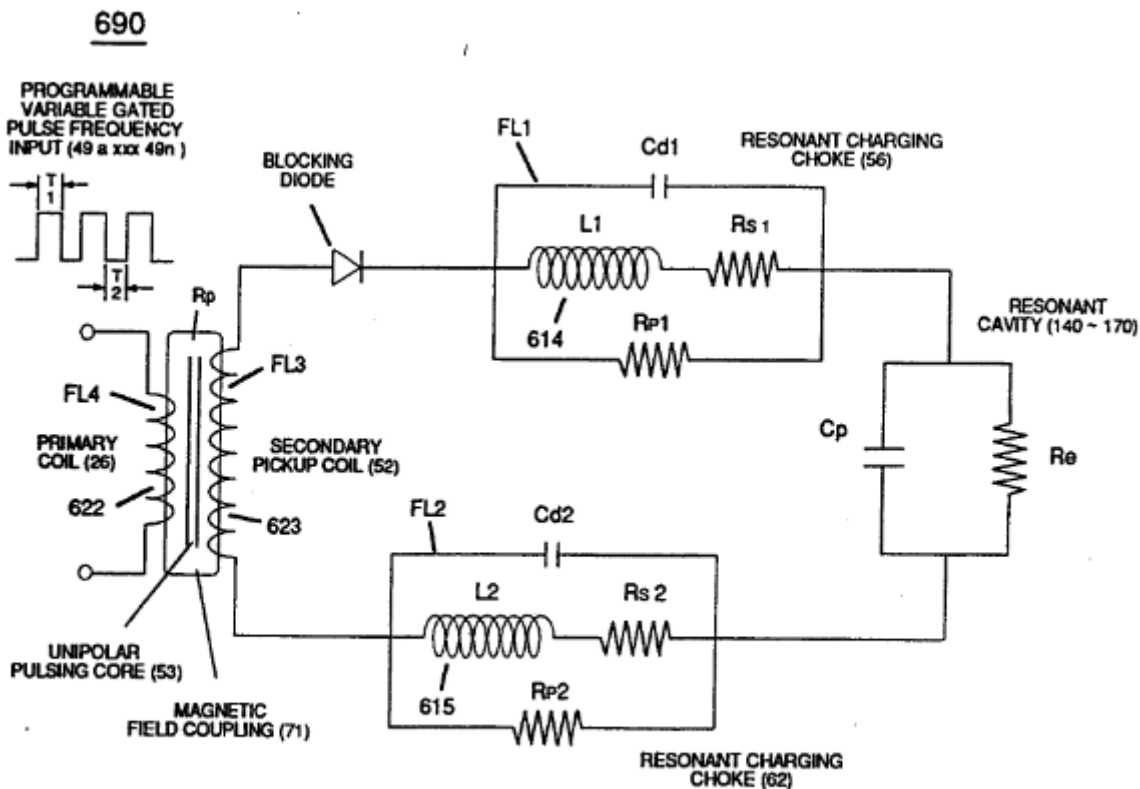


FIGURE 7-8: VIC MATRIX CIRCUIT

Interlinked with VIC Coil Assembly, the Water Fuel Injector acts and performs as a "**Voltage Amplifier**" by simply altering the **Voltage Wave Guide** to either form a "**compressional**" or "**Expanded**" **Voltage Wave Form** that increases Electrical Voltage intensity beyond applied excitation voltage outputted from VIC Coil.

The "Mode of Operability" of **VIC Coil Assembly** is systematically-activated by a programmable signal input, and is performed in the following way: