

WFC 430 - Illustrations

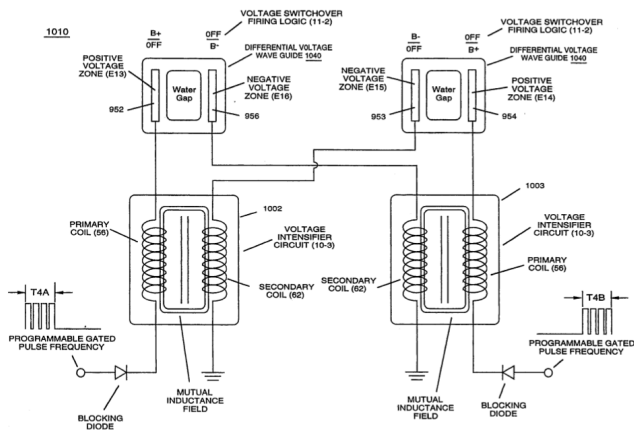
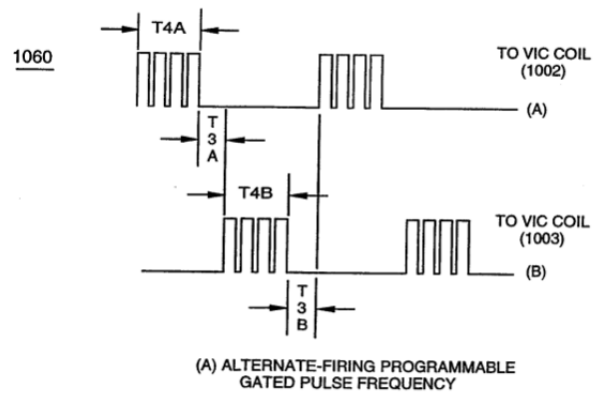


FIGURE 11-1: VIC Switchover Circuit



(B) PROGRAMMABLE PULSE FREQUENCY

(C) DIGITAL VOLTAGE AMPLITUDE CONTROL

FIGURE 11-2: Voltage Switchover Firing Logic

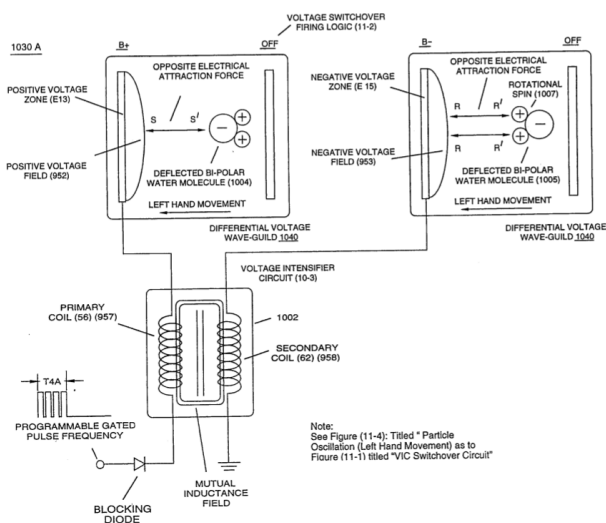


FIGURE 11-3: PARTICLE OSCILLATION (LEFT HAND MOVEMENT)

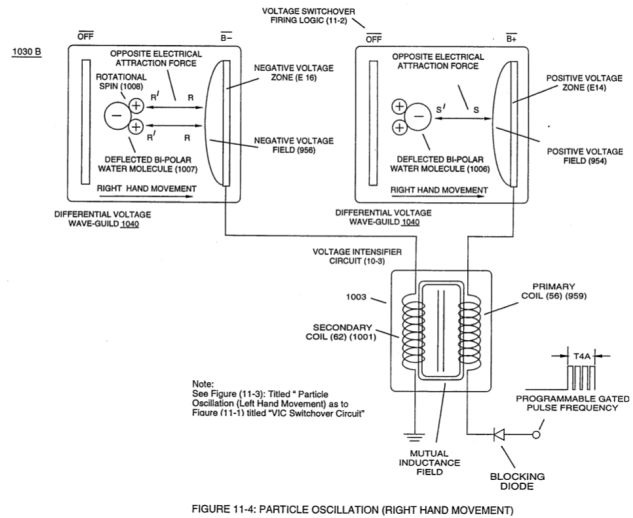


FIGURE 11-4: PARTICLE OSCILLATION (RIGHT HAND MOVEMENT)

1070

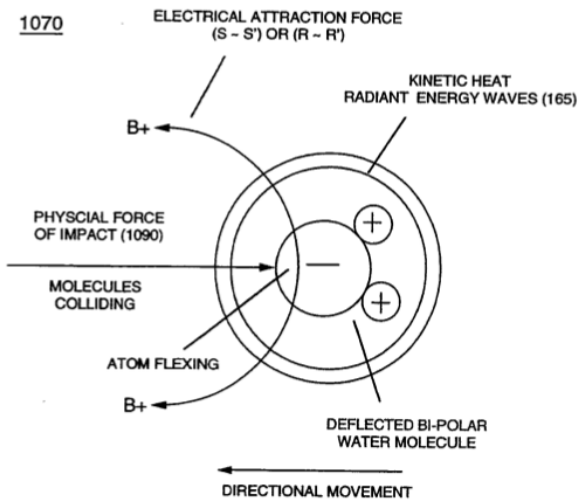


FIGURE 11-5: Particle Oscillation As An Energy Generator

1040

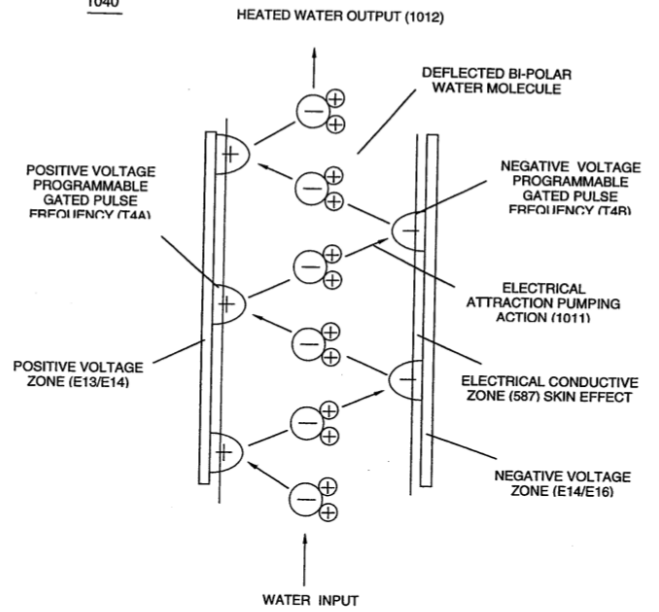


FIGURE 11-6: DIFFERENTIAL VOLTAGE WAVE-GUID

1050

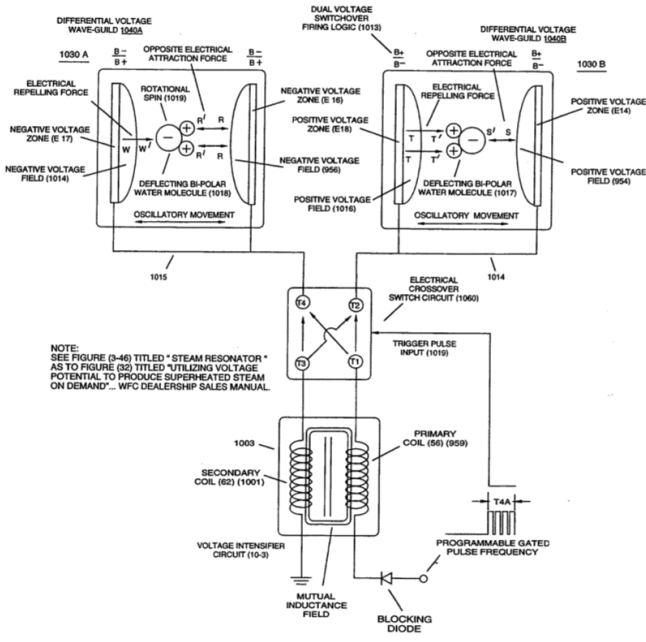


FIGURE 11-7: ELECTRICAL CROSSOVER SWITCHING CIRCUIT

Revision #2

Created 2023-12-16 05:04:39 UTC by Chris Bake

Updated 2024-03-27 16:19:39 UTC by Chris Bake