

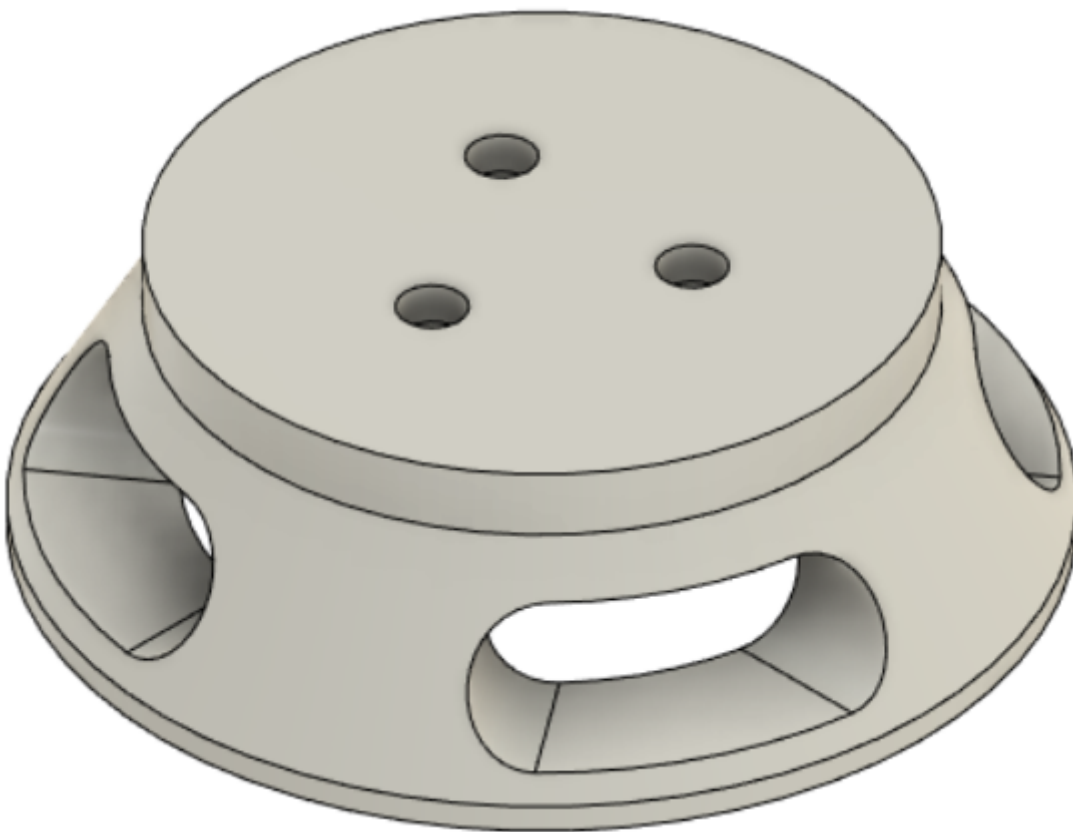
Gas Processor - 3D STLs

As of 5-18-23, STLs are being printed to test assembly. At this time, until this banner is removed, please do not attempt printing. Verification is needed before others waste time and resources for parts that don't go together. Thank you.

RETAINING CAP:

(100% Fill: 65G) , (50% Fill: 45G)

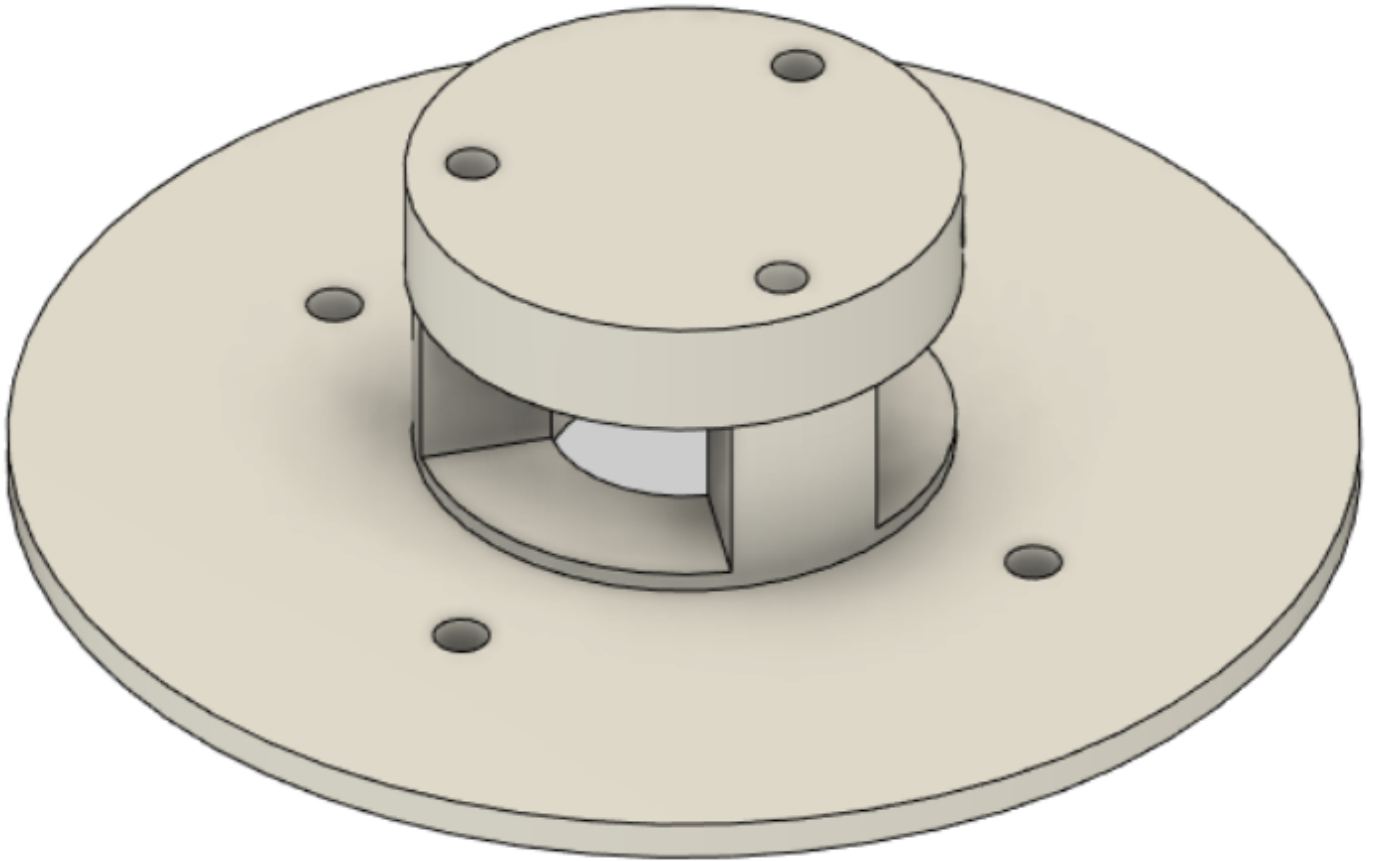
[Retaining Cap.stl](#)



UPPER INTAKE:

(100% Fill: 29G) , (50% Fill: 23G)

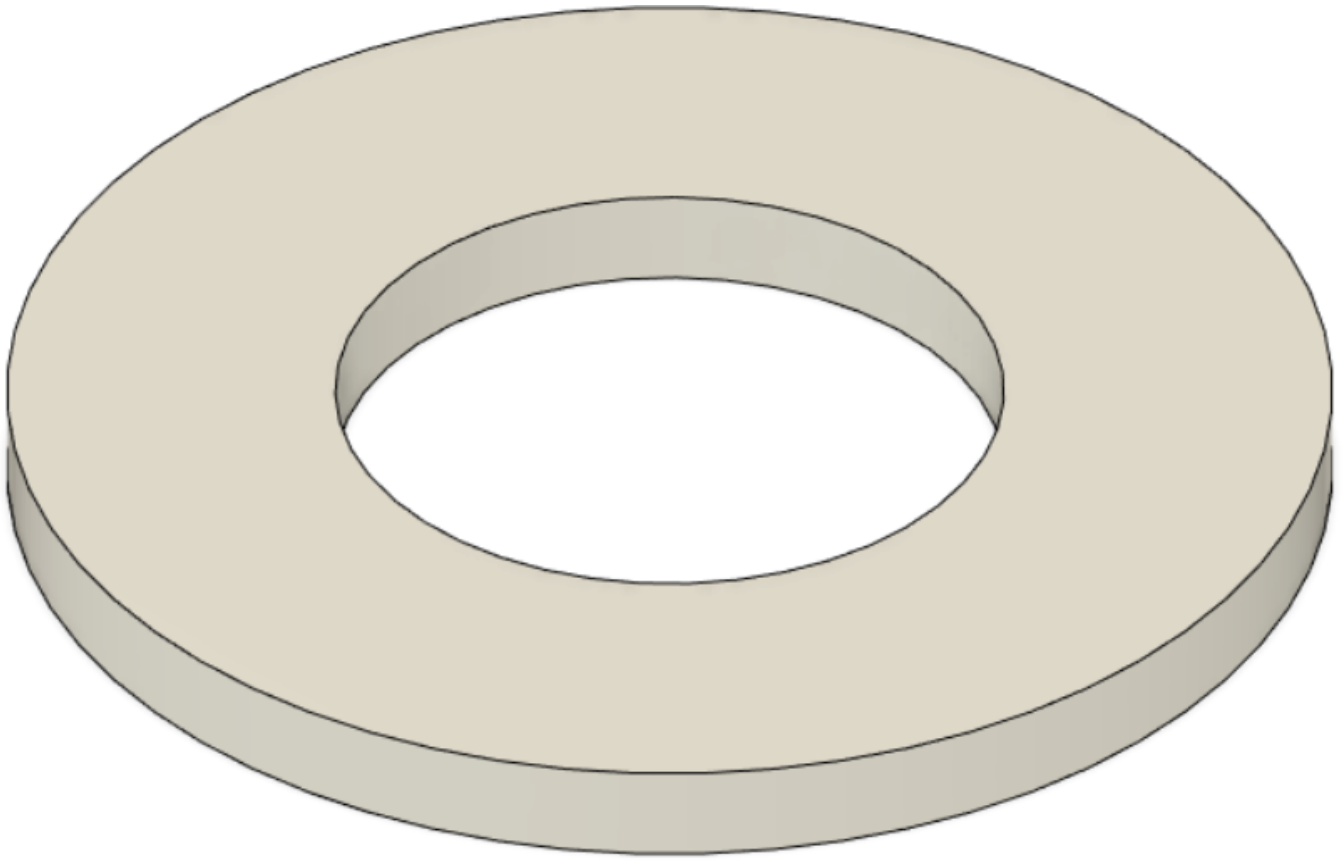
[Upper Intake.stl](#)



BOTTOM PIECE OF UPPER INTAKE:

(100% Fill: 2G) , (50% Fill: 2G)

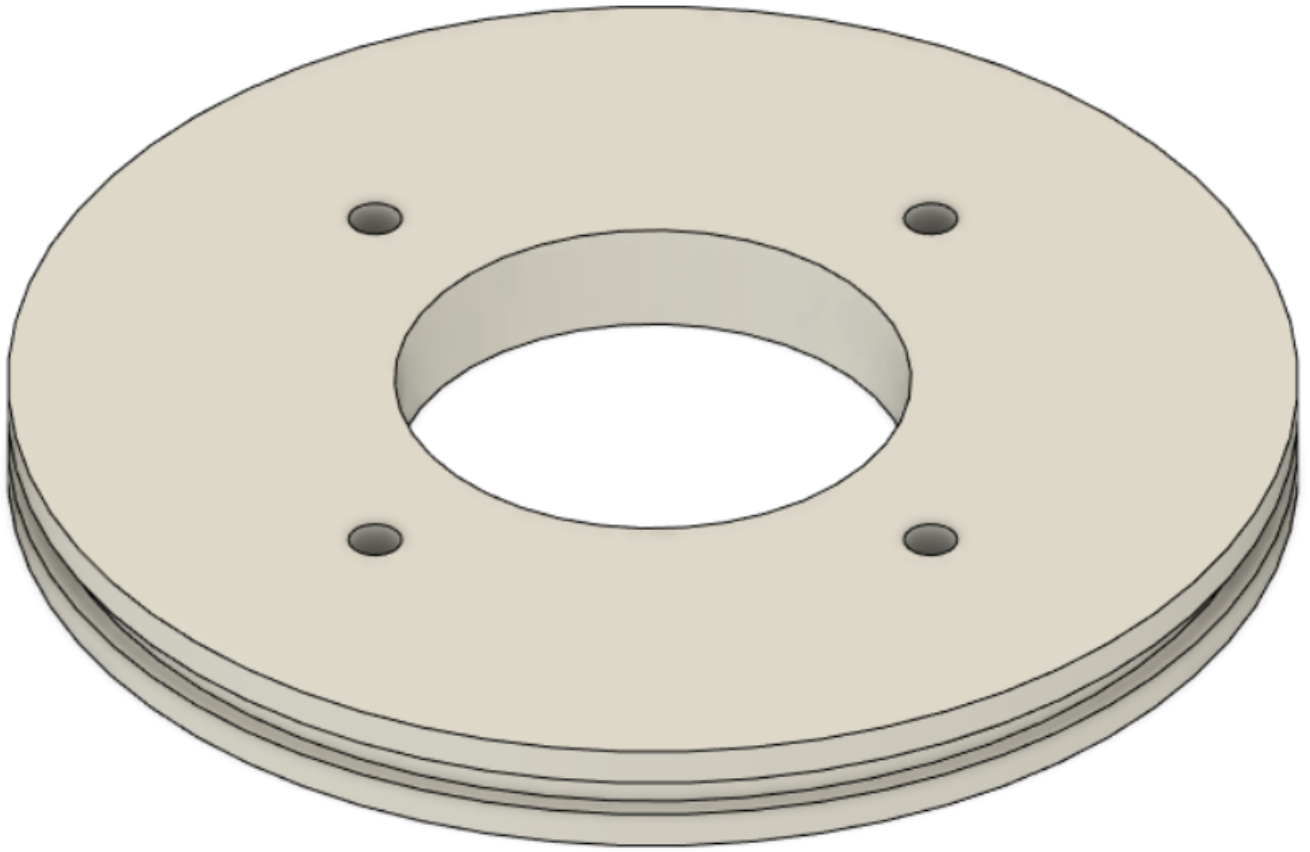
[Bottom Piece To Upper Intake.stl](#)



TOP O-RING

(100% Fill: 44G) , (50% Fill: 29G)

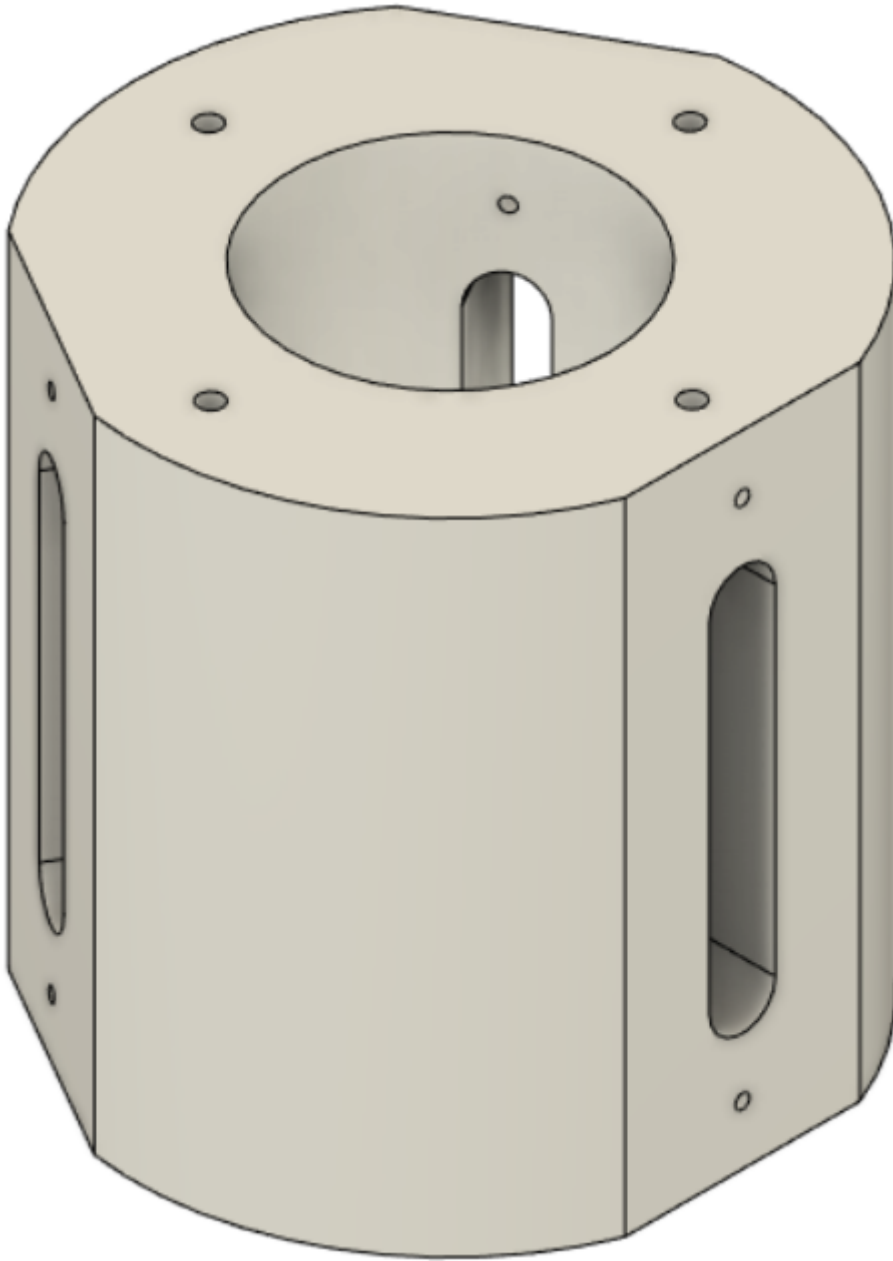
[Top O-Ring Plate.stl](#)



LED BODY:

(100% Fill: 206G) , (50% Fill: 120G)

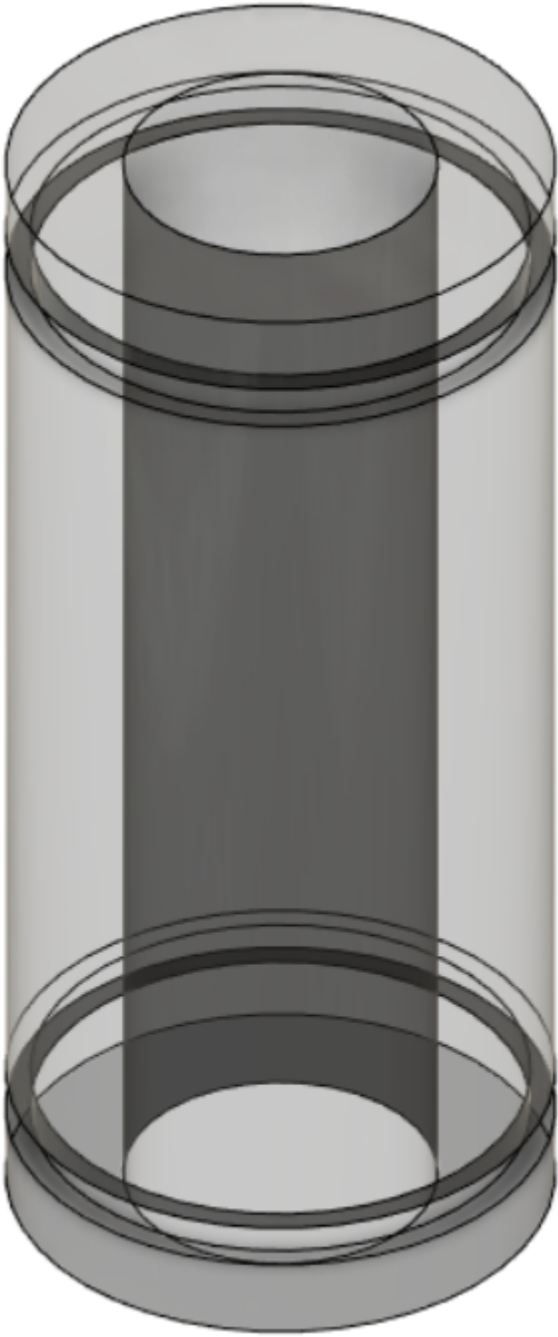
[LED Body.stl](#)



OPTICAL LENS:

(100% Fill: 58G) , (50% Fill: 37G)

[Optical Lens.stl](#)



OUTER ELECTRODE DIMENSIONS:

OUTER ELECTRODE LED GROOVE STENCIL:

(100% Fill: 6G) , (50% Fill: 6G)

[Outer Electrode Stencil .stl](#)

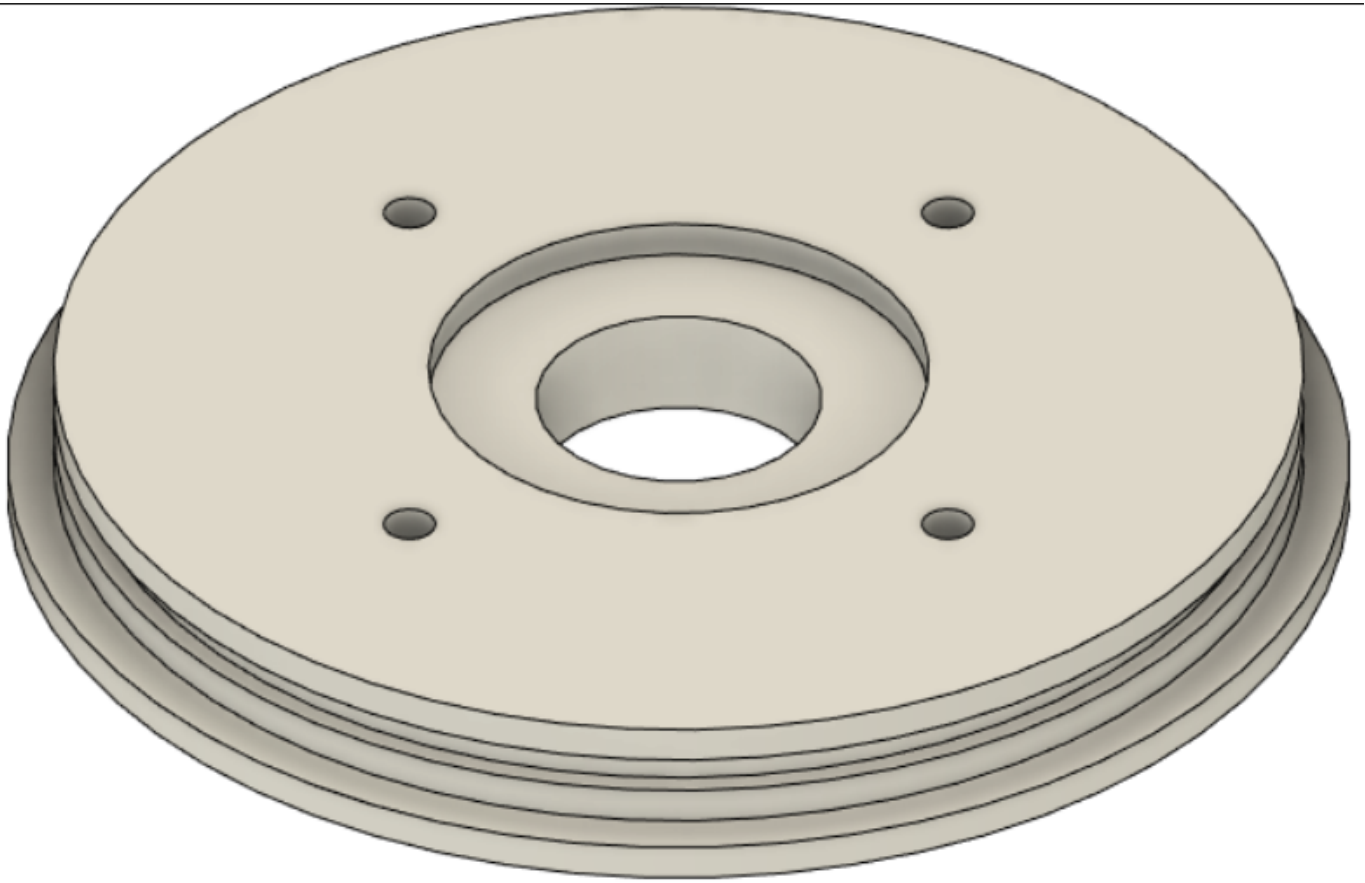


INNER ELECTRODE DIMENSIONS:

BOTTOM O-RING & BLOCK PLATE:

(100% Fill: 68G) , (50% Fill: 43G)

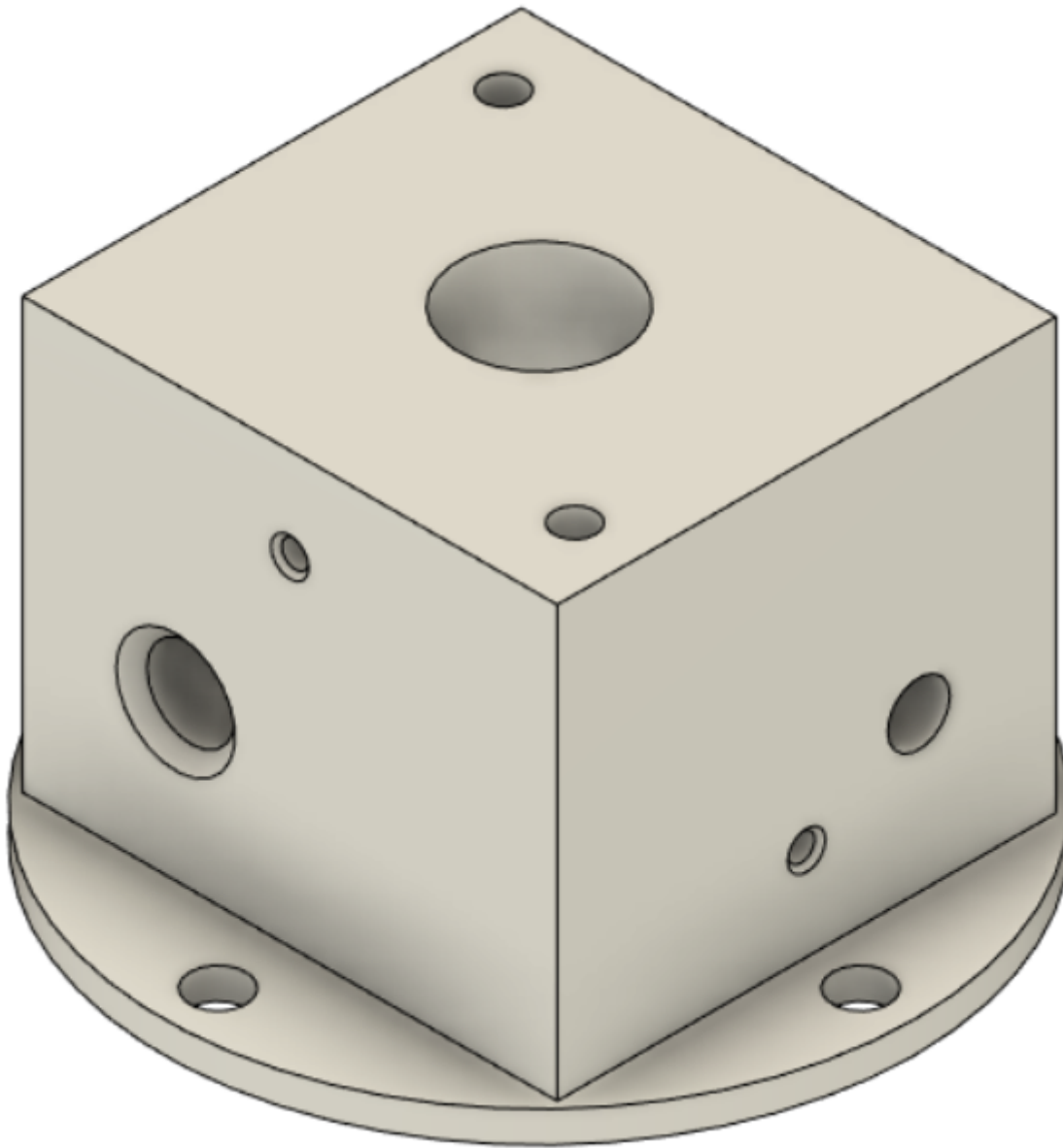
[Bottom O-Ring & Block Plate.stl](#)



BOTTOM BLOCK:

(100% Fill: 265G) , (50% Fill: 152G)

[Bottom Block.stl](#)



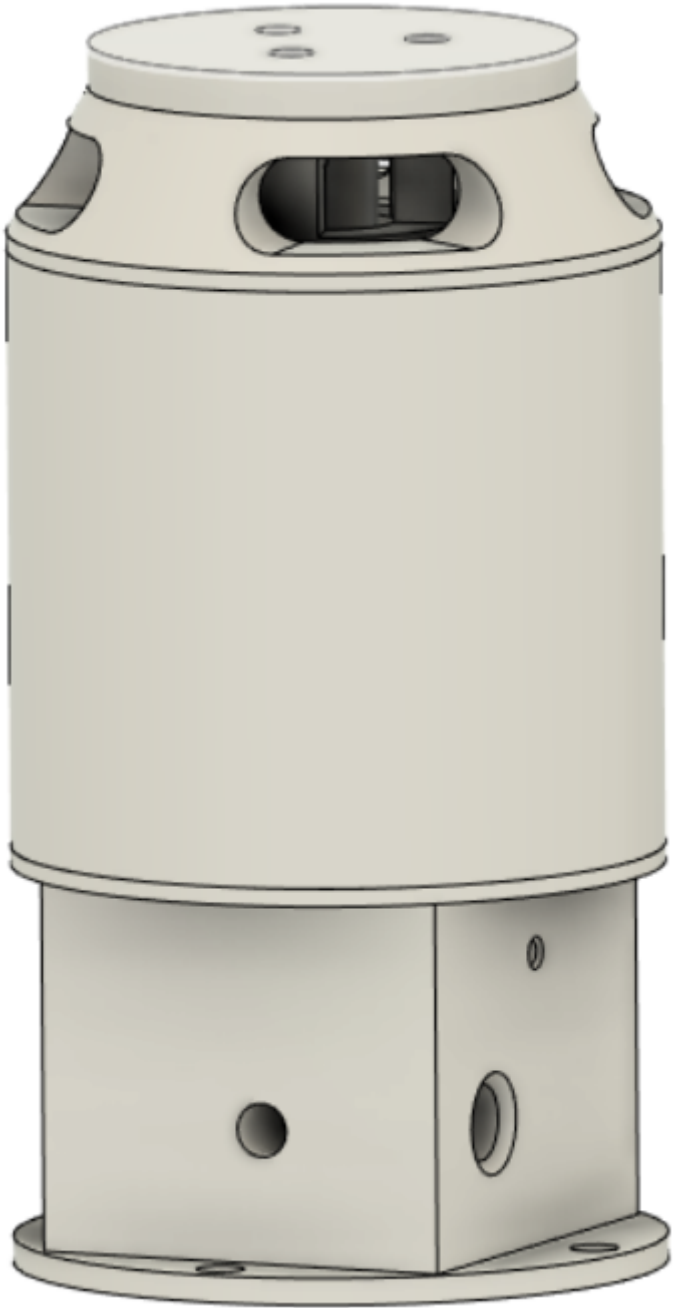
LED COVER:

(100% Fill: 90G) , (50% Fill: 71G)

[LED Cover.stl](#)



TOTAL ASSEMBLY:



Revision #2

Created 2023-05-27 02:42:07 UTC

Updated 2023-05-27 02:42:27 UTC