

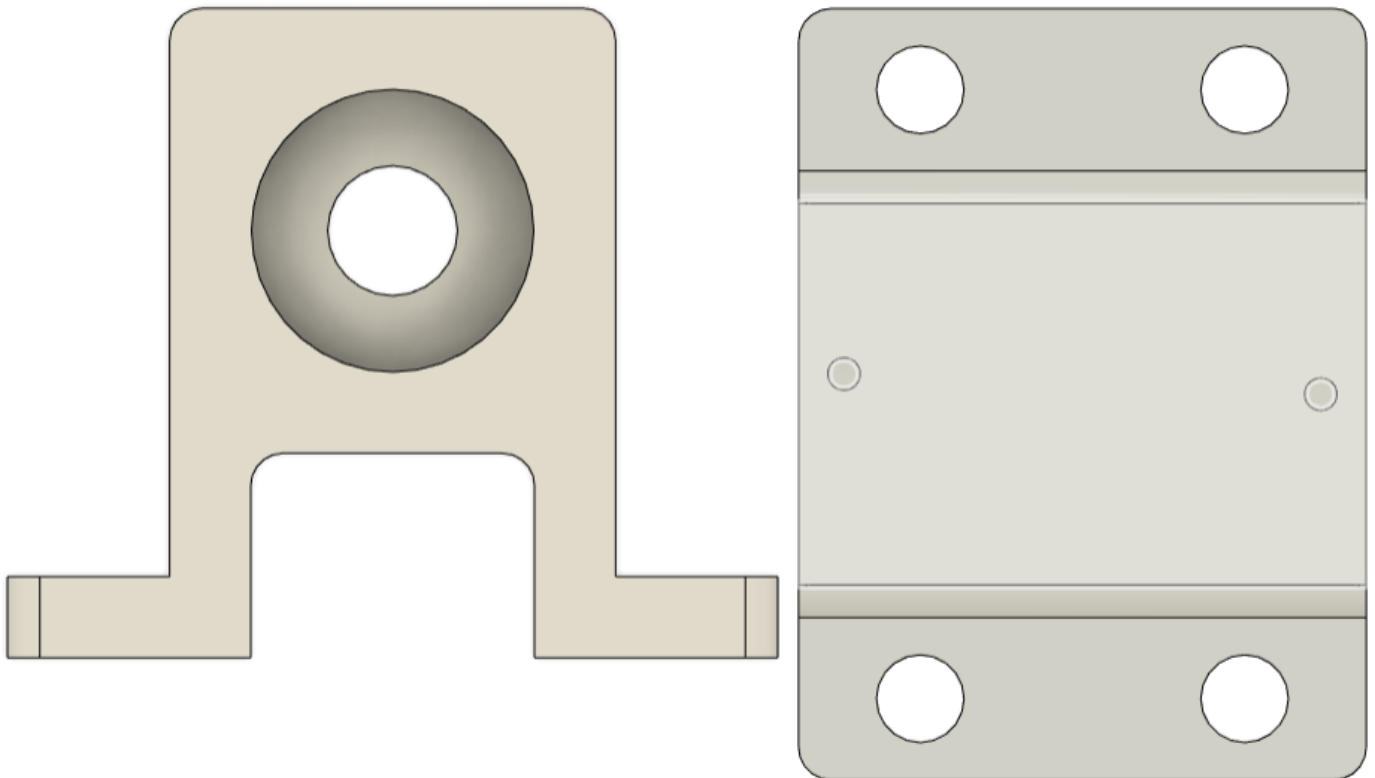
# VIC5 Winding Machine

This machine was designed to allow easy winding of VIC5 replica bobbins. Ferrite U-Cores (approx. 2000 perm) were purchased that matched Stan's original dimensions. The STLs are provided for free if one desires to make these coils. Please understand that if you cannot afford cores to go inside, do not build this. Testing results using these cores will be provided for free at a later date.

YouTube video for machine overview:

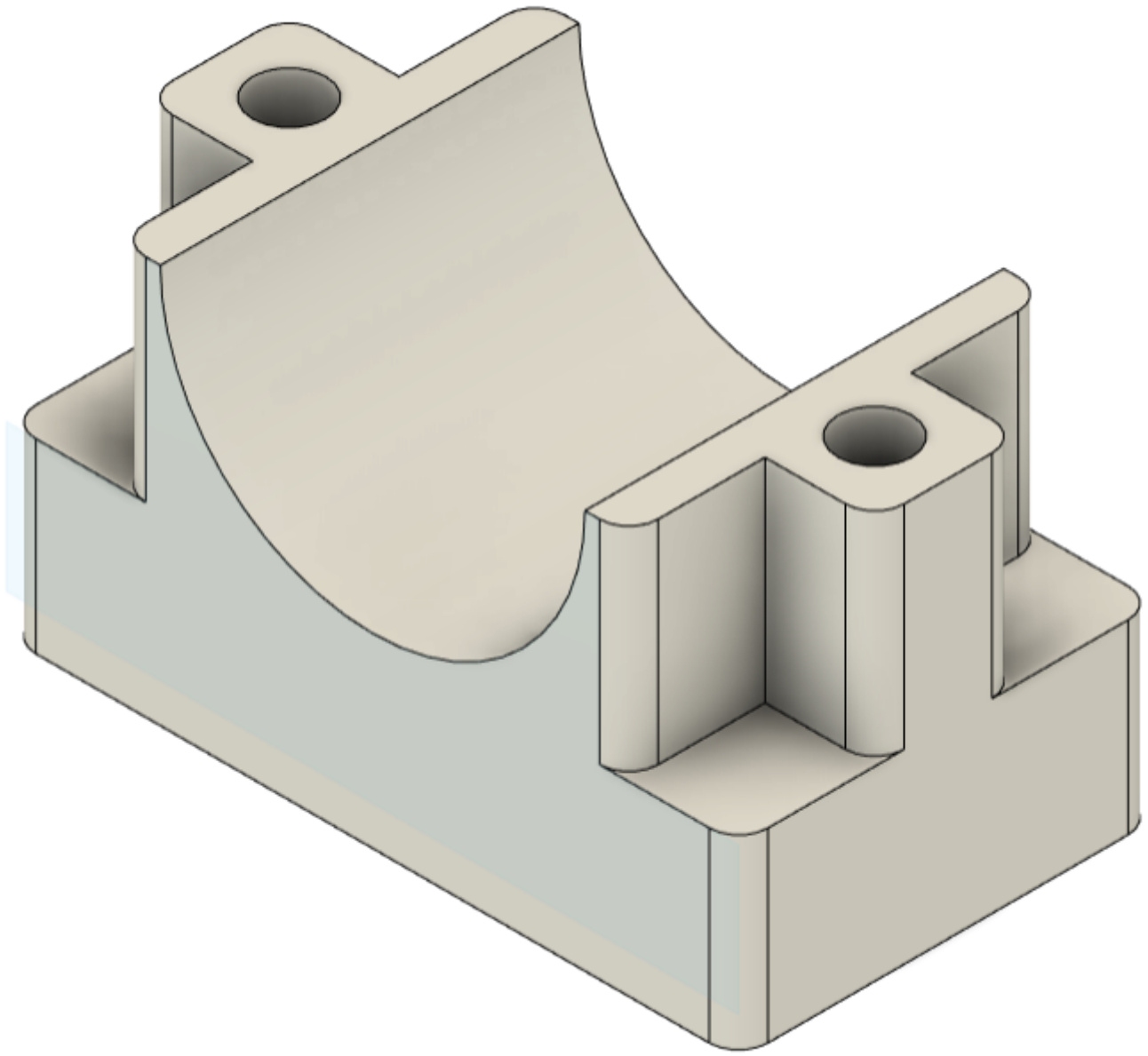
Bearing Blocks:

[Bearing Blocks.stl](#)



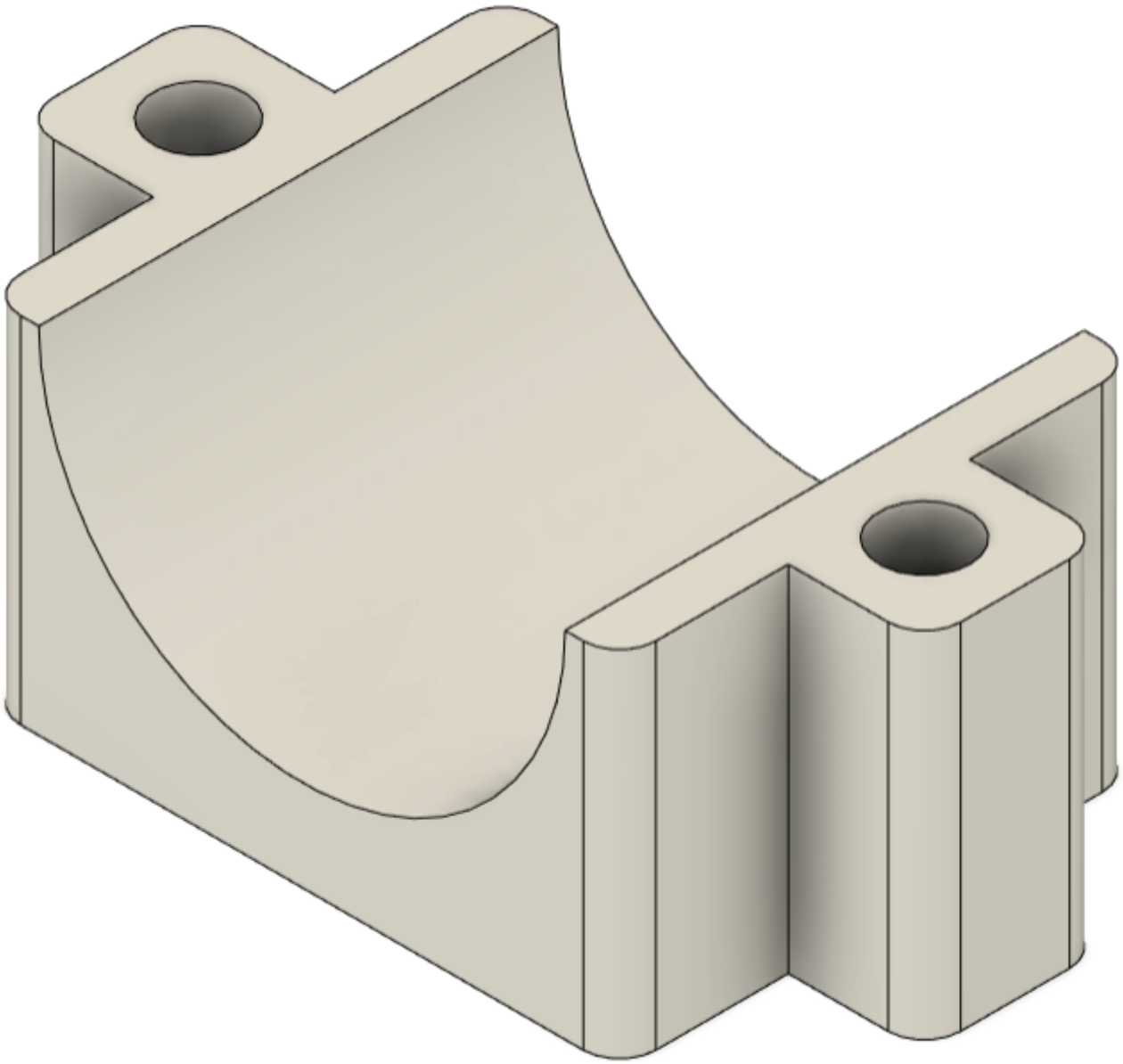
Bottom Motor Mount:

[Bottom Motor Mount\\_.stl](#)



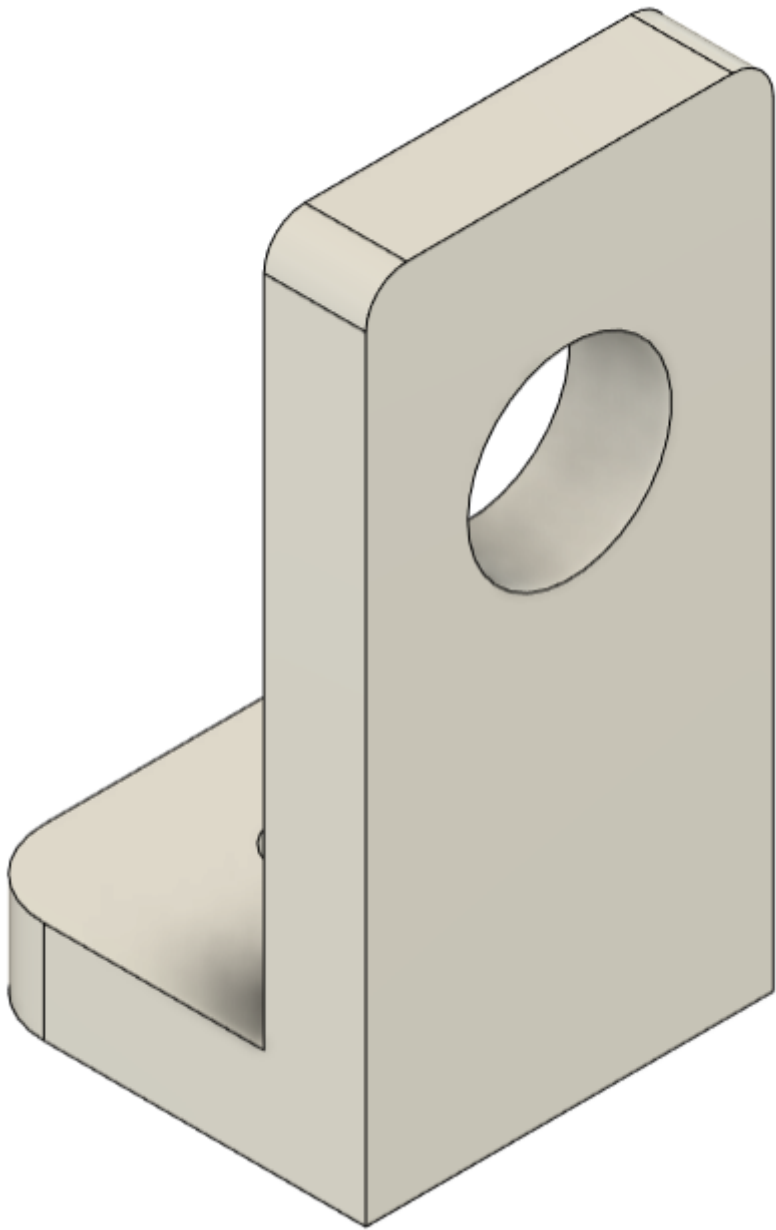
Top Motor Mount:

[Motor Mount Top\\_.stl](#)



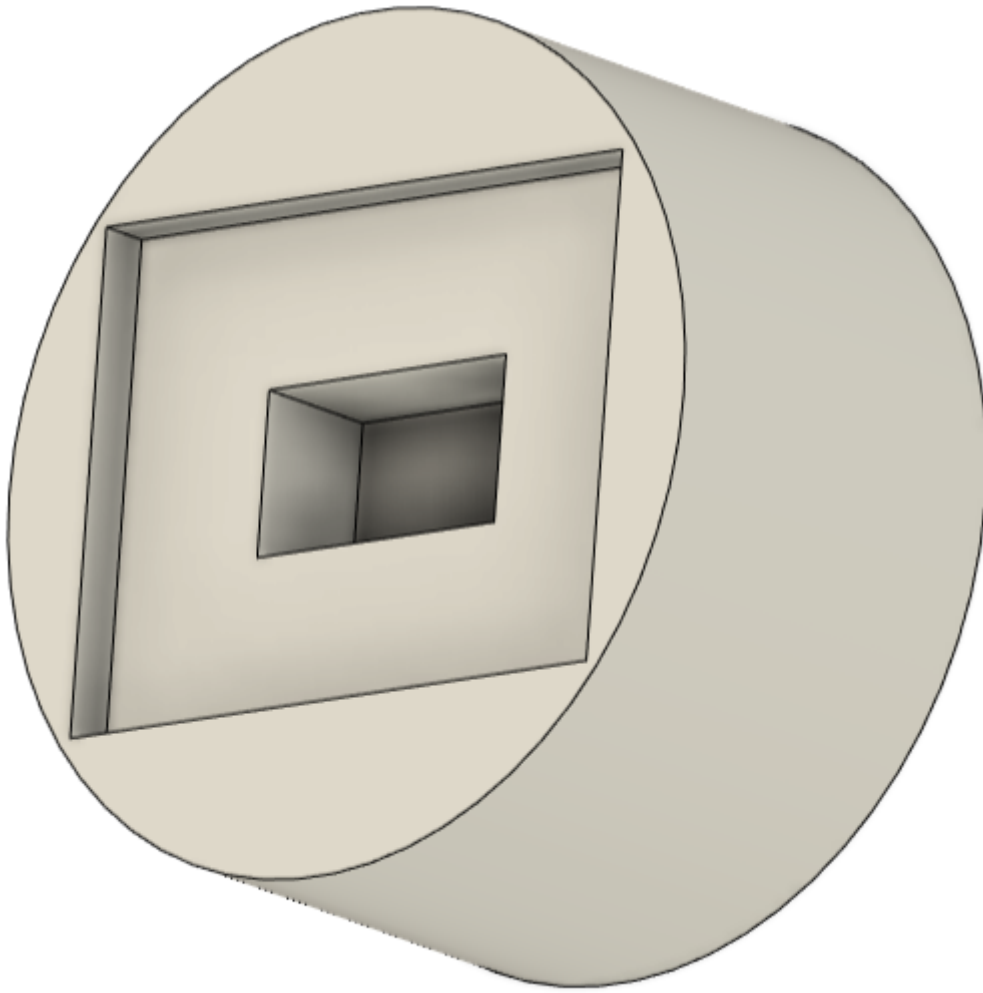
Inductive Sensor Mount:

[Inductive Counter Holder\\_.stl](#)



Bobbin Ends

[VIC5 winder end caps .stl](#)



---

Revision #2

Created 2023-10-05 00:47:17 UTC

Updated 2023-10-05 01:36:42 UTC